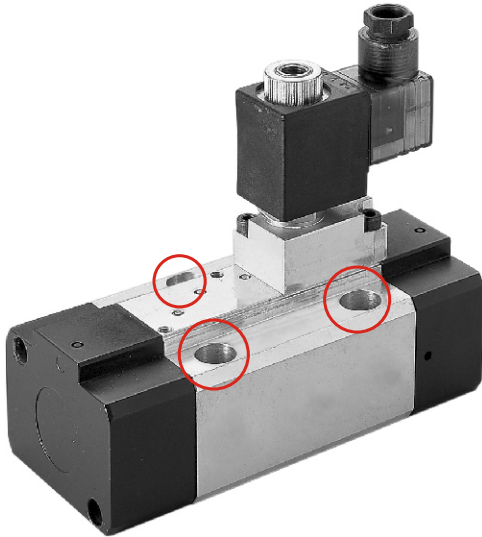


MVSI-510 series

ISO-3 SOLENOID VALVE

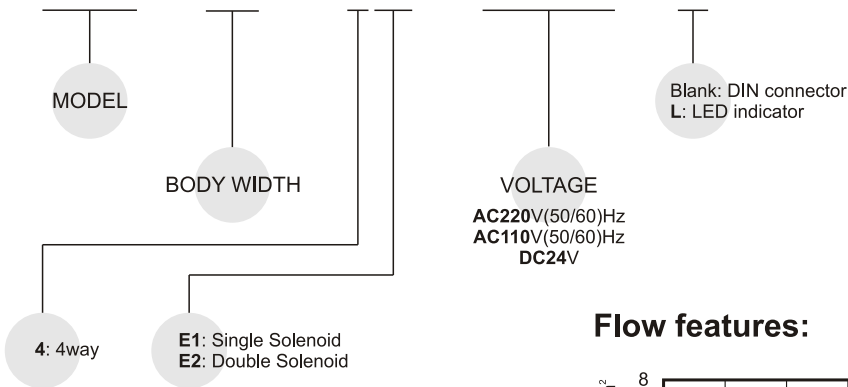


Specification:

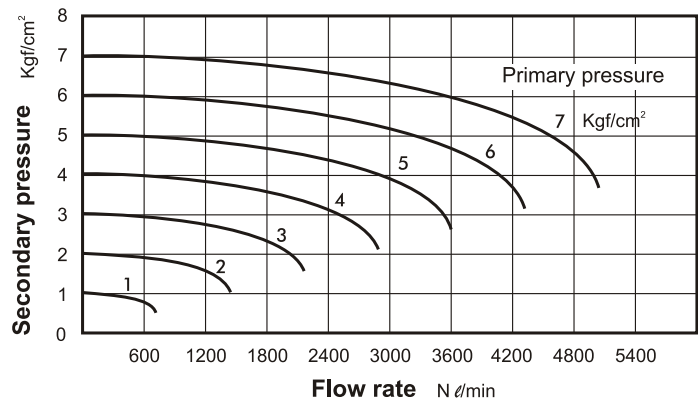
Model	MVSI-510-4E1	MVSI-510-4E2
No. of port	5	
No. of position	2	
Medium	Air	
Operating pressure range	2~7 kgf/cm ²	
Proof pressure	10 kgf/cm ²	
Effective orifice	65 mm ²	
Response time	60 ms	
Ambient temperature	-5~+50°C (No freezing)	
Voltage	AC110V, 220V (50/60)Hz, DC24V	
Power consumption	AC=13/11VA, DC=10W	
Available voltage range	±10%	
Insulation class	H class	
Weight	1493 g	1778 g

Order example of valve:

MVSI - 510 - 4E2 - AC110 - L



Flow features:



MVSI-510

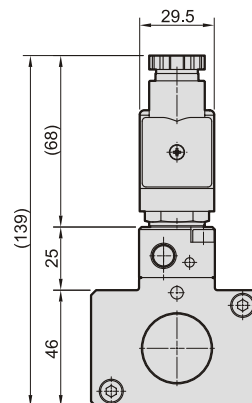
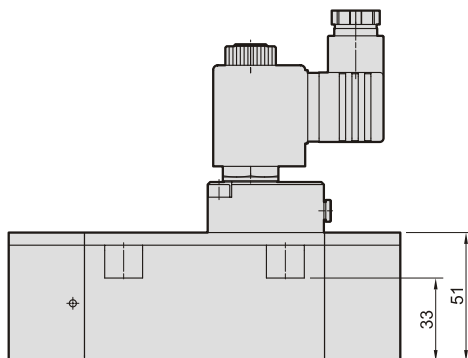
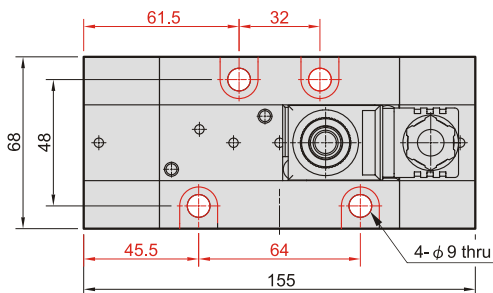
ISO-3 SOLENOID VALVE



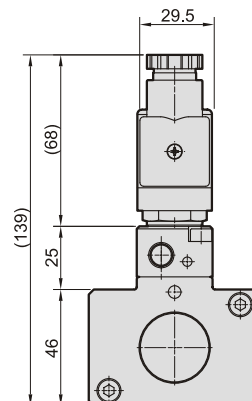
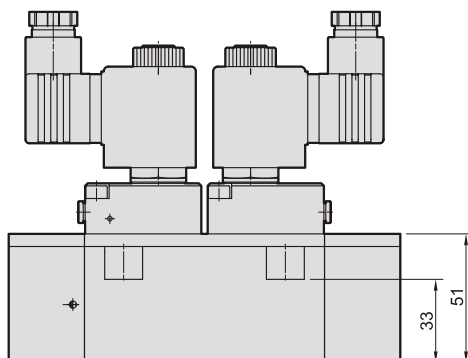
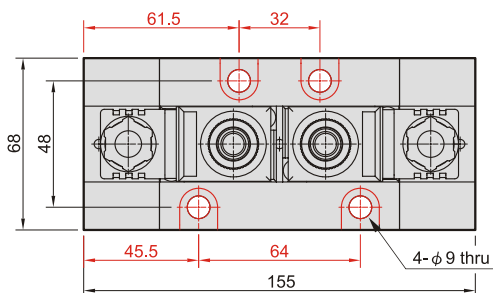
(4/3)SOLENOID

Dimensions:

MVSI-510-4E1



MVSI-510-4E2



Accessories

