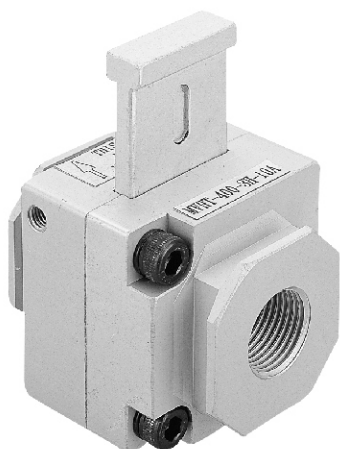


MVHT series

SHUTOFF VALVE



Specification:

Model	MVHT-300		MVHT-400		
	Bore No.	8A	10A	8A	10A
Pipe size	PT 1/4	PT 3/8	PT 1/4	PT 3/8	PT 1/2
No. of port	3(2)				
No. of position	2				
Medium	Air				
Operating pressure range	0~15 kgf/cm ²				
Proof pressure	20 kgf/cm ²				
Ambient temperature	-5~+60°C (No freezing)				

Order example:

MVHT - 300 - 3H - 8A - BSP

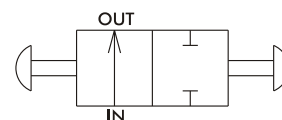
MODEL
MVHT-300
MVHT-400

2H: 2ways
3H: 3ways(residual pressure release)

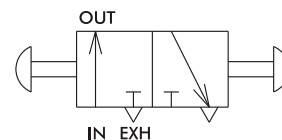
8A: PT 1/4
10A: PT 3/8
15A: PT 1/2(only for MVHT400)

PORT THREAD
Blank: PT thread
BSP: BSP thread
NPT: NPT thread

MVHT-300-2H

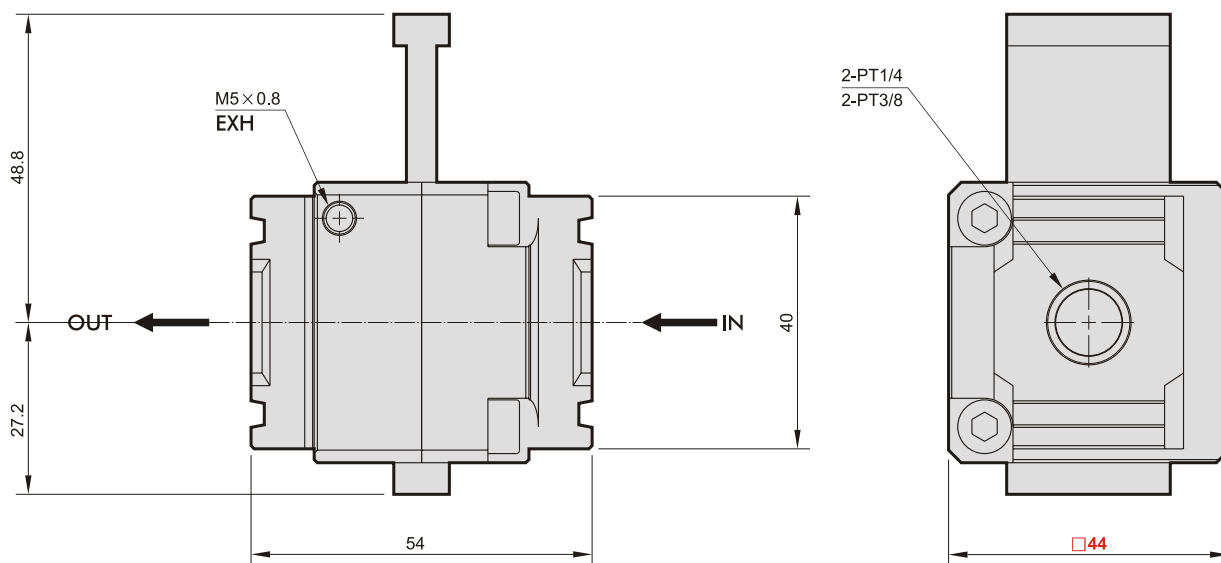


MVHT-300-3H



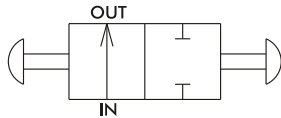
Construction:

MVHT-300

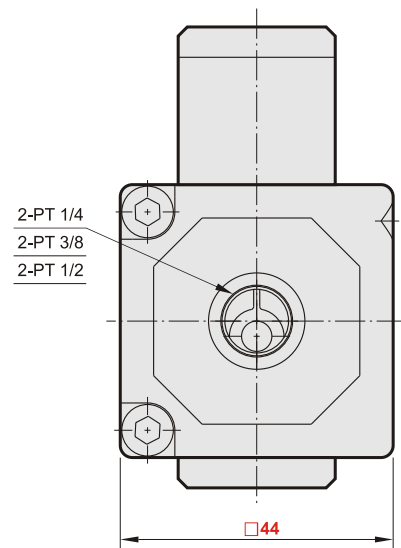
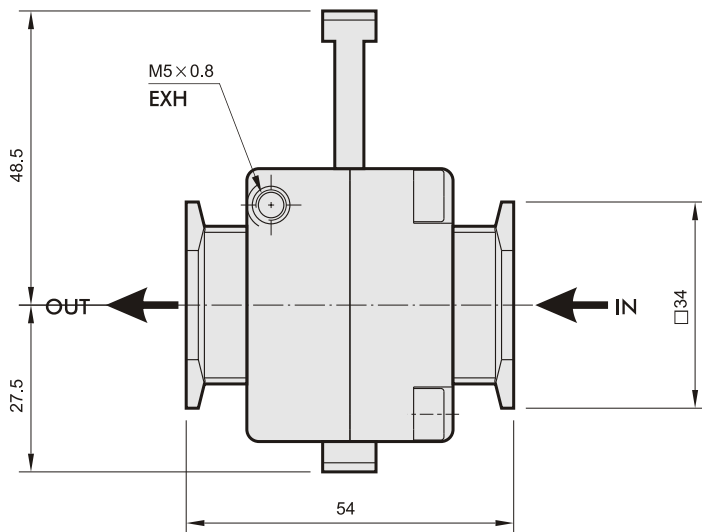
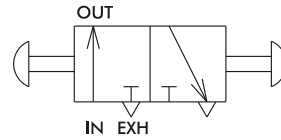


MVHT-400

MVHT-400-2H



MVHT-400-3H



SHUTOFF