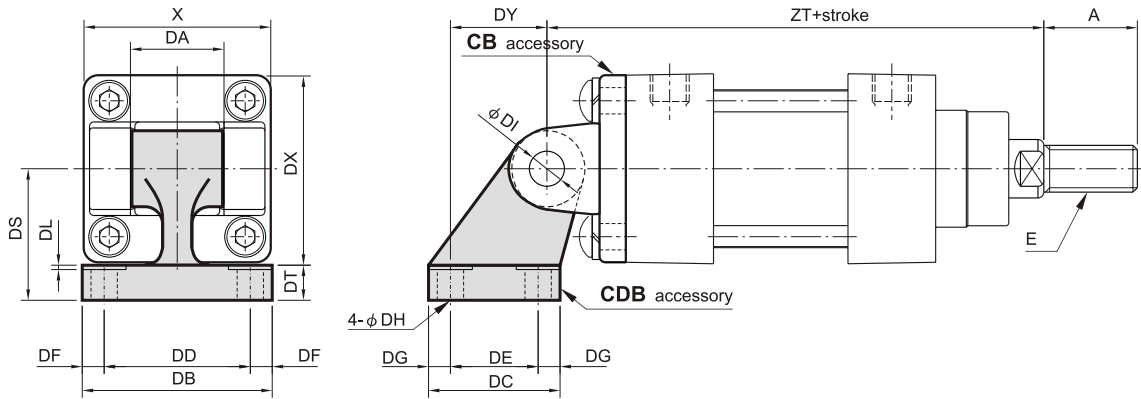
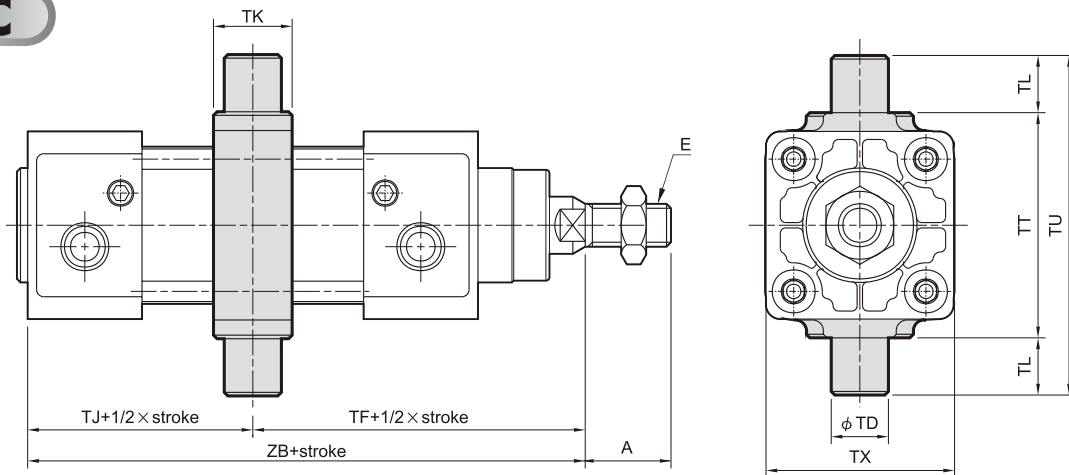


CDB CB+Pin (Extra purchase)



Code Tube I.D.	A	DA	DB	DC	DD	DE	DF	DG	DH	DI	DL	DS	DT	DX	DY	E	X	ZT
32	22	26	50	30	38	18	6	6	6.6	10	1.5	32	8	47.5	21	M10×1.25	47	142
40	24	28	53	34	41	22	6	6	6.6	12	1.5	36	10	52.5	24	M12×1.25	53	160
50	32	32	65	45	50	30	7.5	7.5	9	12	1.5	45	12	65.5	33	M16×1.5	65	170
63	32	40	67	50	52	35	7.5	7.5	9	16	1.5	50	12	75.5	37	M16×1.5	75	190
80	40	50	86	60	66	40	10	10	11	16	2.5	63	14	96.5	47	M20×1.5	95	210
100	40	60	96	70	76	50	10	10	11	20	2.5	71	15	113.5	55	M20×1.5	115	230

TC



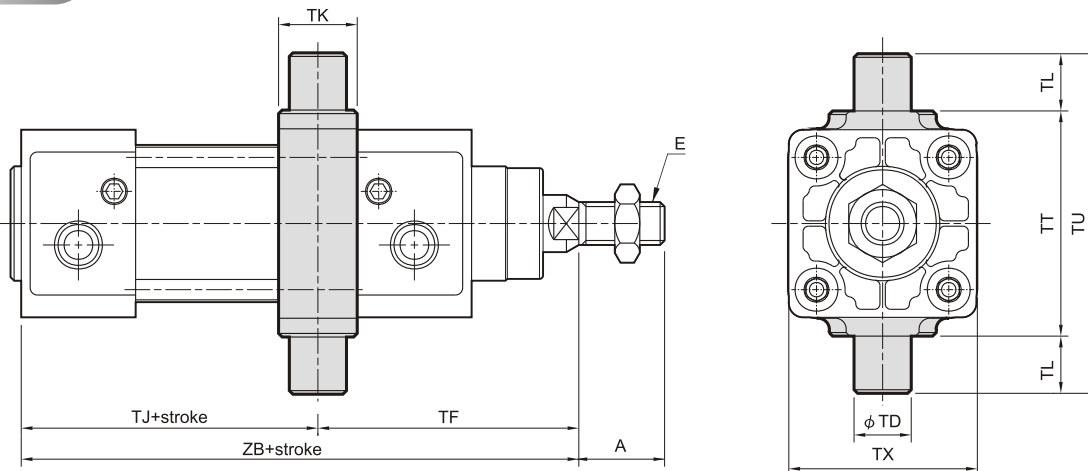
Code Tube I.D.	A	E	TD	TF	TJ	TK	TL	TT	TU	TX	ZB
32	22	M10×1.25	12 ^{SB}	73	47	22	12	50	74	47	120
40	24	M12×1.25	16 ^{SB}	82.5	52.5	22	16	63	95	53	135
50	32	M16×1.5	16 ^{SB}	90	53	22	16	75	107	66	143
63	32	M16×1.5	20 ^{SB}	97.5	60.5	28	20	90	130	80	158
80	40	M20×1.5	20 ^{SB}	110	64	34	20	110	150	106	174
100	40	M20×1.5	25 ^{SB}	120	69	40	25	132	182	126	189

MCQV Mounting accessories $\phi 32\sim\phi 100$

ISO-VDMA STANDARD CYLINDERS

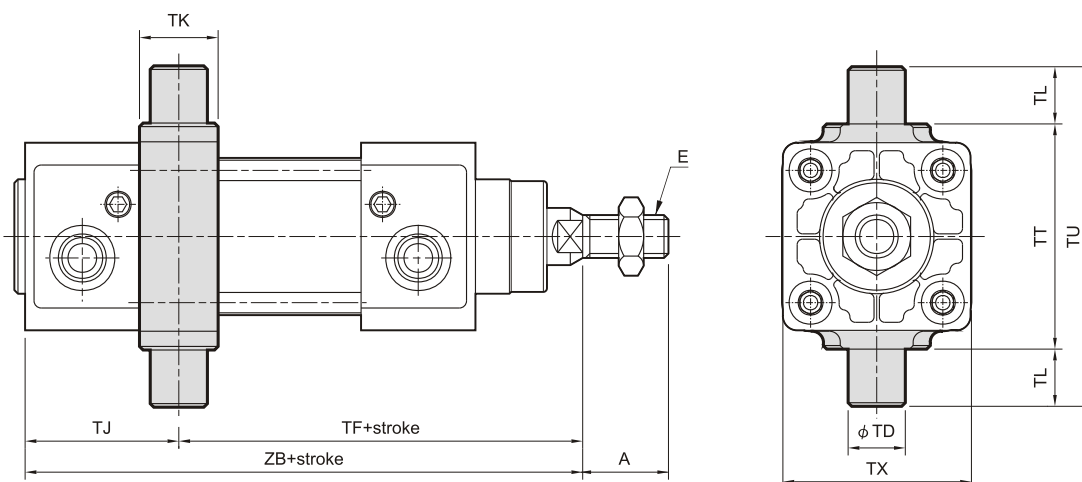


TA



Code Tube I.D.	A	E	TD	TF	without magnet		magnet		TK	TL	TT	TU	TX
					TJ	ZB	TJ	ZB					
32	22	M10×1.25	12 ^{SB}	64	56	120	86	150	22	12	50	74	47
40	24	M12×1.25	16 ^{SB}	72	63	135	93	165	22	16	63	95	53
50	32	M16×1.5	16 ^{SB}	79	64	143	94	173	22	16	75	107	66
63	32	M16×1.5	20 ^{SB}	84	74	158	104	188	28	20	90	130	80
80	40	M20×1.5	20 ^{SB}	102	72	174	112	214	34	20	110	150	106
100	40	M20×1.5	25 ^{SB}	112	77	189	117	229	40	25	132	182	126

TB



Code Tube I.D.	A	E	TD	without magnet		magnet		TJ	TK	TL	TT	TU	TX
				TF	ZB	TF	ZB						
32	22	M10×1.25	12 ^{SB}	82	120	112	150	38	22	12	50	74	47
40	24	M12×1.25	16 ^{SB}	93	135	123	165	42	22	16	63	95	53
50	32	M16×1.5	16 ^{SB}	101	143	131	173	42	22	16	75	107	66
63	32	M16×1.5	20 ^{SB}	111	158	141	188	42	28	20	90	130	80
80	40	M20×1.5	20 ^{SB}	118	174	158	214	56	34	20	110	150	106
100	40	M20×1.5	25 ^{SB}	128	189	168	229	61	40	25	132	182	126

