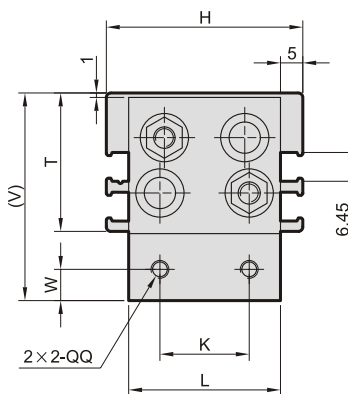
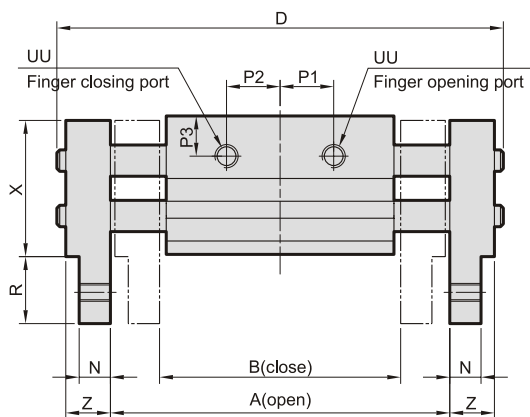
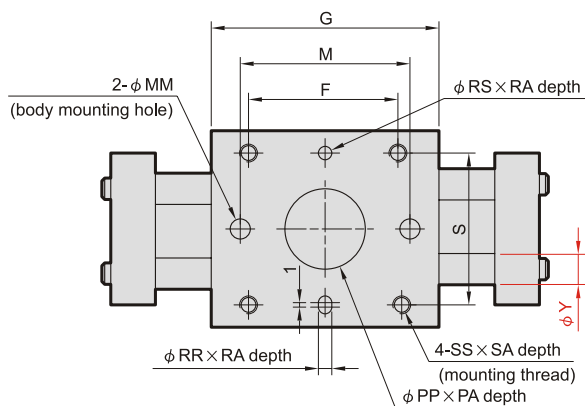
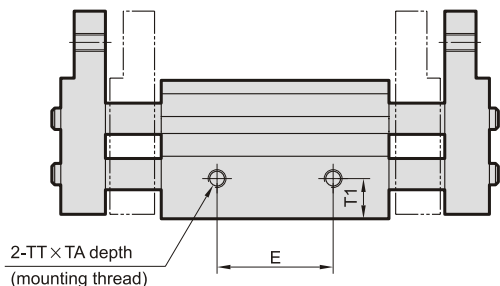


# MCHX Dimensions $\phi 10 \sim \phi 32$

## WIDE TYPE PARALLEL GRIPPERS



Code Model	Stroke	A	B	D	E	F	G	M	P1	P2
MCHX-10	20	76	56	100	26	36	51	38	12	12
	40	118	78	142	42	52	67	54	19.5	19.5
	60	156	96	180	60	70	85	72	28.5	28.5
MCHX-16	30	98	68	128	28	45	60	40	14.4	14.4
	60	170	110	200	58	75	90	70	29.4	29.4
MCHX-20	40	122	82	160	38	58	71	54	16.9	16.9
	80	222	142	260	80	100	113	96	34.4	34.4
	100	262	162	300	100	120	133	116	44.4	44.4
MCHX-25	50	150	100	196	48	70	88	66	23	23
	100	282	182	328	102	124	142	120	50	23
	120	320	200	366	120	142	160	138	59	24
MCHX-32	70	220	150	272	60	86	110	—	28	28
	120	318	198	370	108	134	158	—	52	52
	160	402	242	454	152	178	202	—	74	74

Code Model	H	K	L	N	MM	PA	PP	P3	QQ	R	RA	RR	RS	S	SA	SS	T	T1	TA	TT	UU
MCHX-10	44	20	34	7	4.5	1.5	18	9	M4×0.7	15	3	3	3	34	8	M4×0.7	31	9	5	M4×0.7	M5×0.8
MCHX-16	55	25	44	9	5.5	1.5	23	10	M5×0.8	19	3	3	3	42	10	M5×0.8	40	10	7	M5×0.8	M5×0.8
MCHX-20	65	30	54	12.5	6.6	1.5	24	11	M6×1.0	24	4	4	4	52	12	M6×1.0	46	11	7	M6×1.0	M5×0.8
MCHX-25	76	40	64	14	9	1.5	32	20.5	M8×1.25	29	4	4	4	62	16	M8×1.25	53	12.5	7	M8×1.25	M5×0.8
MCHX-32	82	50	70	15	-	1.5	35	16	M10×1.5	32	8	6	6	64	16	M8×1.25	68	22	11	M8×1.25	RC(PT)1/8"

Code Model	V	W	X	Y	Z
MCHX-10	46.5	7	30.5	6	10
MCHX-16	59	8	39	8	13
MCHX-20	70	10	45	10	17
MCHX-25	81	12	51	12	22
MCHX-32	100	15	67	16	24

GRIPPERS

