

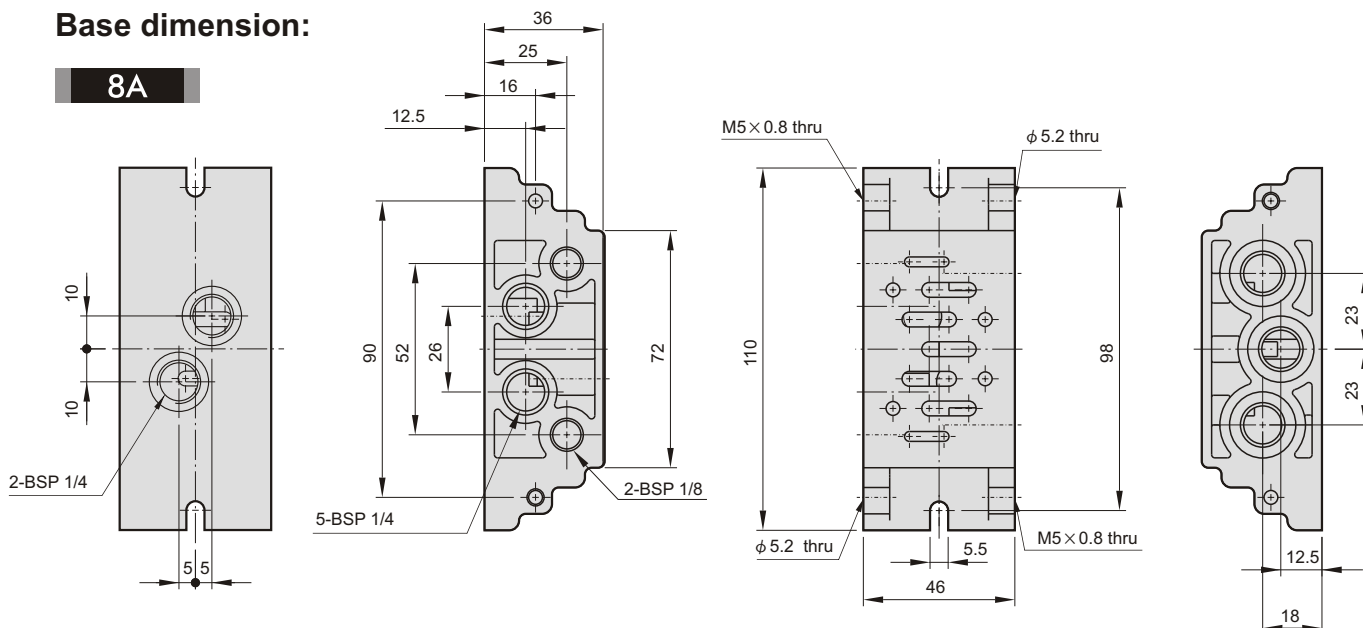
MVSI Base

ISO-1 SOLENOID VALVE



Base dimension:

8A



Order example:

MVSI - 1 - B - 8A

MODEL

BASE

BORE SIZE

8A : **BSP** 1/4

10A : **BSP** 3/8

10A

