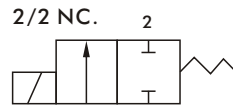


MBS series

SOLENOID VALVE



Available fluid: Air, gas, water, vacuum, oil etc.

Specification :

- IP65 waterproof coil
- Continuous cycle, 100% ED
- Ex coil is EExm II T4 or EEx ia II C T6 PTB approval.
- Ambient temp.: -15 ~ 50 °C
- Voltage tolerance: ± 8%
- Installing position is free. (You'd better put the coil upright.)

Power consumption:

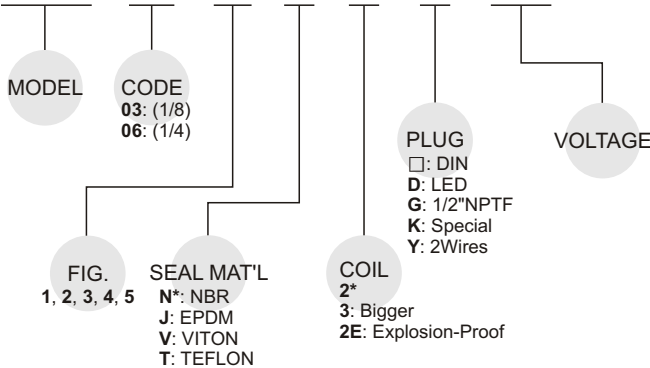
Coil power	2	3	2E
AC 50/60Hz(VA)	8.5/6.9	8/6	4.8
DC(W)	5.1	6.8	5.2

Dimensions:

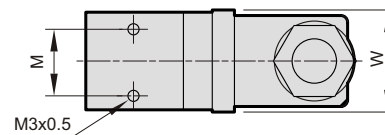
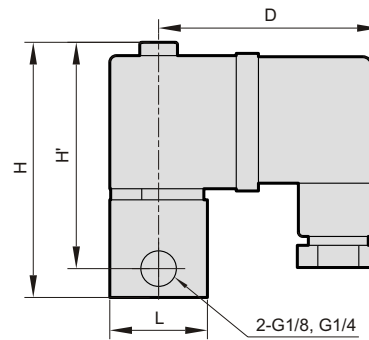
Model	MBS	
Code	03	06
Dimension (mm)		
D	50	50
H	57	61
H'	51	51
L	□22	33
M	15	11.2
W	23	
N.W.(Kg)	0.15	

Order example:

MBS - 03 - 2 - J - 3 - D - AC



* : If you select NBR seal coil 2, "N" "2" can be not shown.



Model **MBS**: Brass body, mini 2/2 way N.C.

Code (PIPE) G	Fig. no.	Mat'l		Coil	Orifice mm	Temp. °C								Max. O.P.D. bar (Min. 0 bar)						Cv	VAC. torr			
		Seal	Body			Coil 2				Coil 3/2E				Coil 2		Coil 3		Coil 2E						
						N	J	V	T	N	J	V	T	AC	DC	AC	DC	AC	DC					
03(1/8) 06(1/4)	1	N	C	2, 3, 2E	1.0																			
	2	J			-5	-10	-5	-10	-10	24	16	35	24	16	0.03	10 ⁻³								
	3	V			80	90	80	120	155	16	12	30	12	10	0.05									
	4	T			80	90	80	120	155	13	10	25	10	7	0.09									
	5				80	90	80	120	155	10	7	20	7	5	0.14									
														0.18	10 ⁻²									

