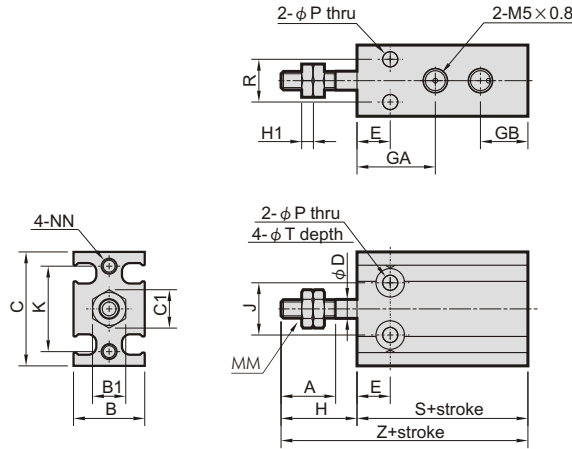


# MCFA Single rod $\phi 6 \sim \phi 32$

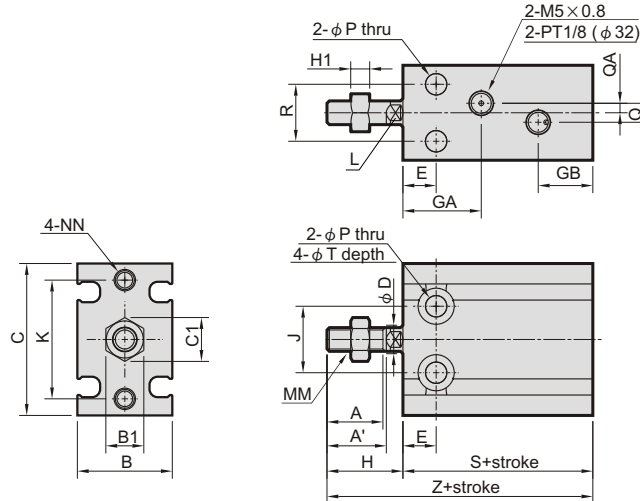
## ARBITRARY MOUNT CYLINDERS



$\phi 6, \phi 10$



$\phi 16 \sim \phi 32$



Code Tube I.D.	A	A'	B	B1	C	C1	D	E	GA	GB	H	H1	J	K	L	MM	NN	P	Q	QA	R
6	7	-	13	5.5	22	6.4	3	7	15	10	13	1.8	10	17	-	M3x0.5	M3x0.5x5depth	3.2	-	-	7
10	10	-	15	7	24	8.1	4	7	16.5	10	16	2.4	11	18	-	M4x0.7	M3x0.5x5depth	3.2	-	-	9
16	11	12.5	20	8	32	9.2	6	7	※16.5	11.5	16	4	14	25	5	M5x0.8	M4x0.7x6depth	4.5	4	2	12
20	12	14	26	10	40	11.5	8	9	19	12.5	19	5	16	30	6	M6x1.0	M5x0.8x8depth	5.5	9	4.5	16
25	15.5	18	32	13	50	15.0	10	10	21.5	13	23	5	20	38	8	M8x1.25	M5x0.8x8depth	5.5	9	4.5	20
32	19.5	22	40	17	62	19.6	12	11	23	12.5	27	6	24	48	10	M10x1.25	M6x1.0x9depth	6.6	13.5	4.5	24

※ without magnt with stroke=5mm, GA=14.5mm.

Code Tube I.D.	T	without magnet		magnet	
		S	Z	S	Z
6	6x4.8depth	33	46	33	46
10	6x5depth	36	52	36	52
16	7.6x6.5depth	30	46	40	56
20	9.3x8depth	36	55	46	65
25	9.3x9depth	40	63	50	73
32	11x11.5depth	42	69	52	79

