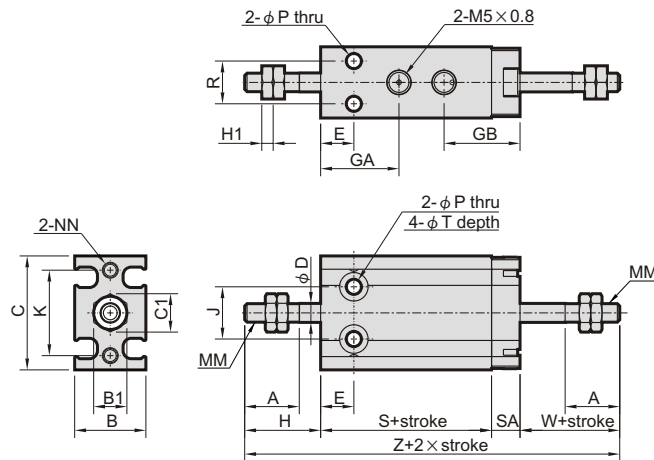


# MCFA Double rod $\phi 6 \sim \phi 32$

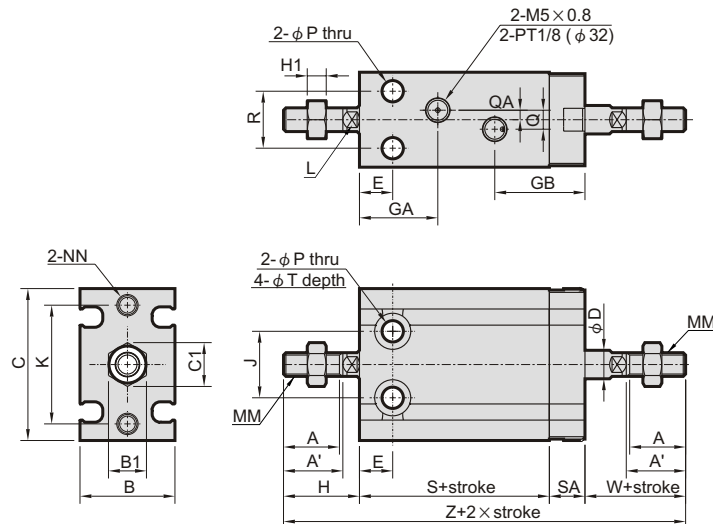
## ARBITRARY MOUNT CYLINDERS



$\phi 6, \phi 10$



$\phi 16 \sim \phi 32$



Code Tube I.D.	A	A'	B	B1	C	C1	D	E	GA	GB	H	H1	J	K	L	MM	NN	P	Q	QA	R	SA
6	7	-	13	5.5	22	6.4	3	7	15	16	13	1.8	10	17	-	M3×0.5	M3×0.5×5depth	3.2	-	-	7	6
10	10	-	15	7	24	8.1	4	7	16.5	16	16	2.4	11	18	-	M4×0.7	M3×0.5×5depth	3.2	-	-	9	6
16	11	12.5	20	8	32	9.2	6	7	※16.5	19	16	4	14	25	5	M5×0.8	M4×0.7×6depth	4.5	4	2	12	7.5
20	12	14	26	10	40	11.5	8	9	19	21.5	19	5	16	30	6	M6×1.0	M5×0.8×8depth	5.5	9	4.5	16	9
25	15.5	18	32	13	50	15.0	10	10	21.5	22	23	5	20	38	8	M8×1.25	M5×0.8×8depth	5.5	9	4.5	20	9
32	19.5	22	40	17	62	19.6	12	11	23	22.5	27	6	24	48	10	M10×1.25	M6×1.0×9depth	6.6	13.5	4.5	24	10

※ without magnt with stroke=5mm, GA=14.5mm.

Code Tube I.D.	T	W	without magnet		magnet	
			S	Z	S	Z
6	6×4.8depth	13	38	70	38	70
10	6×5depth	16	36	74	36	74
16	7.6×6.5depth	16	30	69.5	40	79.5
20	9.3×8depth	19	36	83	46	93
25	9.3×9depth	23	40	95	50	105
32	11×11.5depth	27	42	106	52	116

