

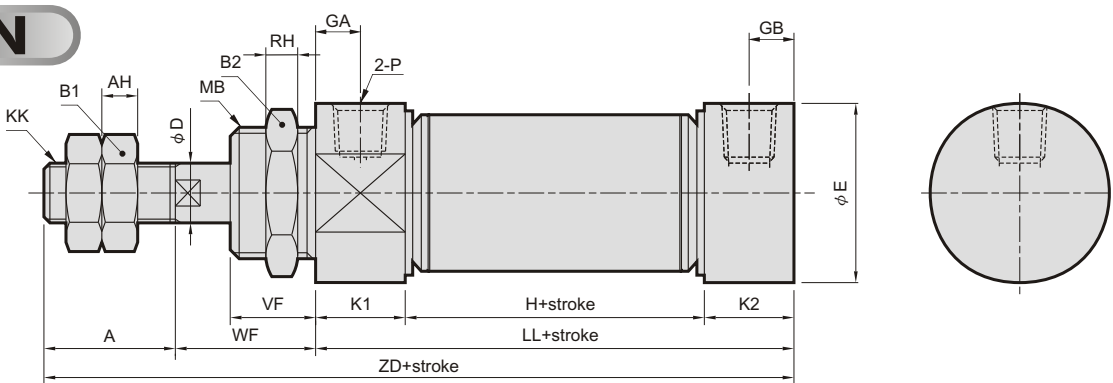
MCMA Dimensions / Double acting $\phi 16 \sim \phi 40$

MINIATURE CYLINDERS



MINI

N

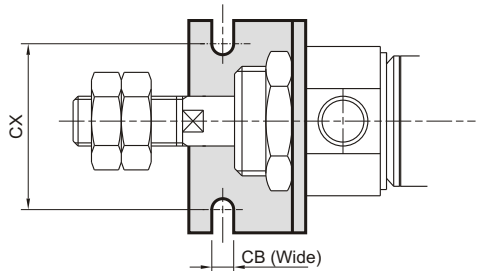


Code Tube I.D.	A	AH	B1	B2	D	E	GA	GB	H	KK	K1	K2	LL	MB	P	RH	VF	WF	ZD
16	16	5	10	22	6	19.7	5	5	34	M6×1.0	10	10	54	M16×1.5	M5×0.8	6	12	22	92
20	20	5	13	30	10	26.7	7.5	7.5	40	M8×1.25	15	15	70	M22×1.5	PT 1/8	6	12	18	108
25	22	6	17	30	10	29.7	7.5	7.5	40	M10×1.25	15	15	70	M22×1.5	PT 1/8	6	15	27	119
32	22	6	17	32	12	36	7.5	10.5	37	M10×1.25	15	18	70	M24×2.0	PT 1/8	8	18	30	122
40	30	7	19	41	16	45	7.5	10.5	42	M12×1.25	15	18	75	M30×2.0	PT 1/8	8	17	27	132

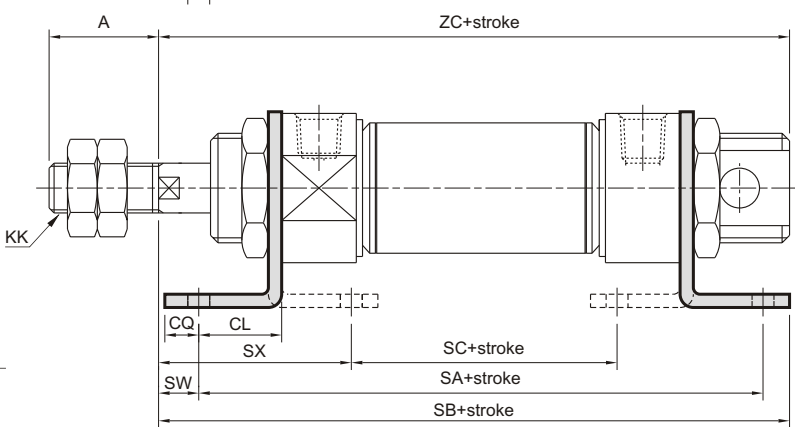
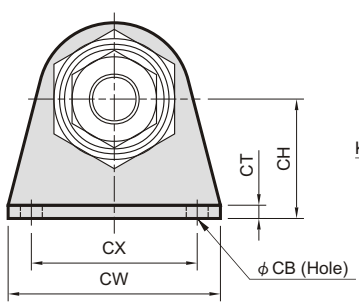
Mounting accessories

LB

MCMA- $\phi 16$



MCMA- $\phi 20 \sim \phi 40$



Code Tube I.D.	A	CB	CH	CL	CQ	CT	CW	CX	KK	SA	SB	SC	SW	SX	ZC
16	16	5.5	20	13	6	3.2	44	32	M6×1.0	80	95	34.4	9	31.8	92
20	20	6.6	25	15	8	3.2	54	40	M8×1.25	100	111	46.4	3	29.8	109
25	22	6.6	25	15	8	3.2	54	40	M10×1.25	100	120	46.4	12	38.8	118
32	22	6.6	32	25	8	4	59	45	M10×1.25	120	133	28	5	51	124
40	30	6.6	36	25	8	4	64	50	M12×1.25	125	135	33	2	48	130



H-04

Mindman