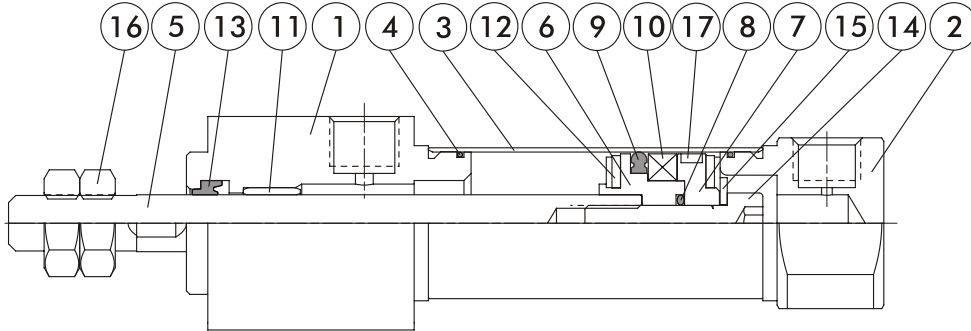


Double acting



Material

No.	Part name	Material	Note
1	Rod cover	Aluminum alloy	
2	Head cover	Aluminum alloy	
3	Tube	Stainless steel	
4	Cover ring	NBR	
5	Piston rod	Carbon steel	
6	Piston-R	Aluminum alloy	
7	Piston-H	Aluminum alloy	
8	Piston gasket	NBR	
9	Piston packing	NBR	
10	Magnet ring	Magnet material	
11	Rod bush	Copper	
12	Cushion gasket	NBR	
13	Rod packing	NBR	
14	Piston bolt	SCM	
15	Washer	Rolled steel	
16	Rod front nut	Rolled steel	
17	Wear ring	Teflon	