



2017/07/27

## MVHC-200/300 Series Top Cover Exterior Change Notification

Thank you for your continuous support on Mindman product for these years. We would like to change the exterior of Top Cover for MVHC-200/300 Series Rotary Hand Lever Valve. Sorry for any inconvenience may occur.

### 1. Product Series

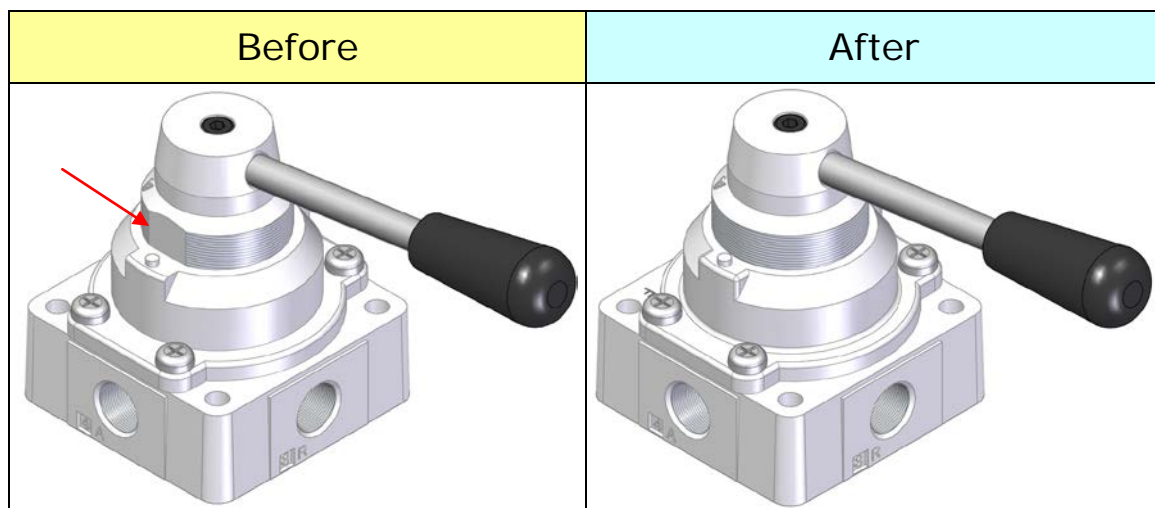
MVHC-200/300 Series

### 2. Design Change Reason

To promote the benefit of molding, we cancel the design of plane on the thread of the top cover.

### 3. Design Change

Variation of Top cover exterior



### 4. Effective Date

Do not affect the usage, will change sequentially.

### 5. Others

If you have any questions, please contact our sales Department.