

2017/9/7

MVSP-220 Solenoid Valve Renamed Notification

Thanks for your continuous support for Mindman products.

MVSP-220 solenoid valves will have following changes.

Sorry for any potential inconvenience and thank you for the cooperation.


1. Product Series

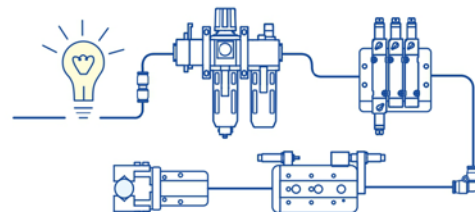
MVSP-220 Solenoid Valve

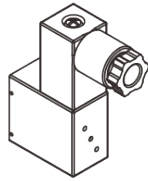
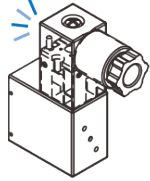
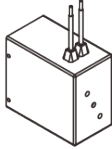
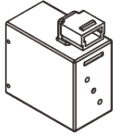
2. Design Change Reason

To simplify product lines, MVSP-220 will be renamed as MVSC1-220 and can be ordered from now on.



3. Specification of MVSC1-220

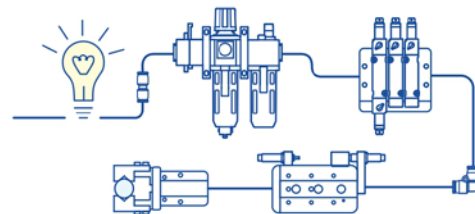
	MVSC1-220
Appearance	
Effective Orifice	16~18 mm ²
Response time	30 ms
Operating pressure	0.2~0.8MPa
Coil Features	<ol style="list-style-type: none"> 1. Low current and power consumption. 2. Coil fixed by PIN. 3. Bridge rectifier design : Converting AC to DC voltage without operating noise. 4. Low ambient temperature when operating. 5. Manual override design, easier to test. 6. Low power output PLC can drive solenoid valve directly.

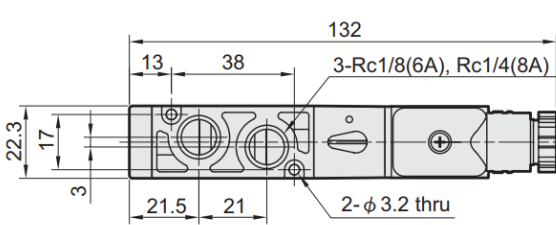
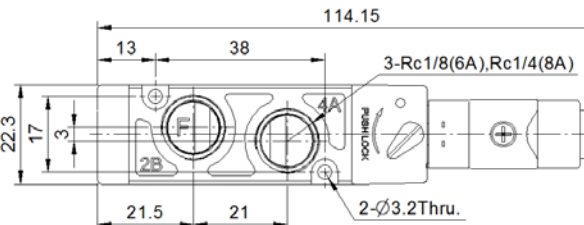


Connector type	1. DIN connector 2. DIN connector with LED indicator 3. Lead Wire 4. Horizontal connector	D: DIN connector 	L: DIN connector with LED indicator 
		W: Lead wire 	H: Horizontal connector 
Voltage	DC : 12V、24V AC : 110V、220V		
Power Consumption	DC : 0.95W AC110V/ AC220V : 1.12VA		

4. Comparison of MVSC-220 series and MVSC1-220 series :

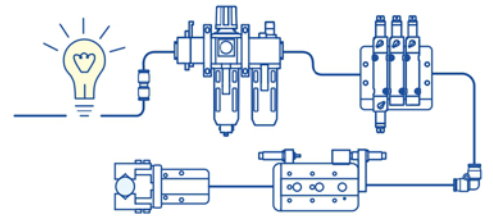
	MVSC-220	MVSC1-220
Appearance		
Effective Orifice	16~18 mm ²	
Response time	30 ms	



Operating pressure	0.2~0.8MPa	
External pilot	Yes	No
Coil Feature	<ol style="list-style-type: none"> Coil fixed by nut. Higher power consumption. 	<ol style="list-style-type: none"> Coil fixed by PIN. Low current and power consumption. Bridge rectifier design : Converting AC to DC voltage without operating noise. Low ambient temperature when operating. Low power output PLC can drive solenoid valve directly. <p>※ Low power consumption and economic type</p>
Connector type	<ol style="list-style-type: none"> DIN connector DIN connector with LED indicator Explosion protection 	<ol style="list-style-type: none"> DIN connector DIN connector with LED indicator Lead Wire Horizontal connector
Dimensions	<p style="text-align: center;">Length : 132mm</p> 	<p style="text-align: center;">Length : 114.15mm</p>  <p>※Length is 13.5% shorter than MVSC-220</p>
Voltage	DC : 12V、 24V AC : 110V、 220V	
Power Consumption	DC : 2W AC110V : 4.8/4.4VA AC220V : 6/4.9VA	DC : 0.95W AC110V/ AC220V : 1.12VA

5. Effective Date

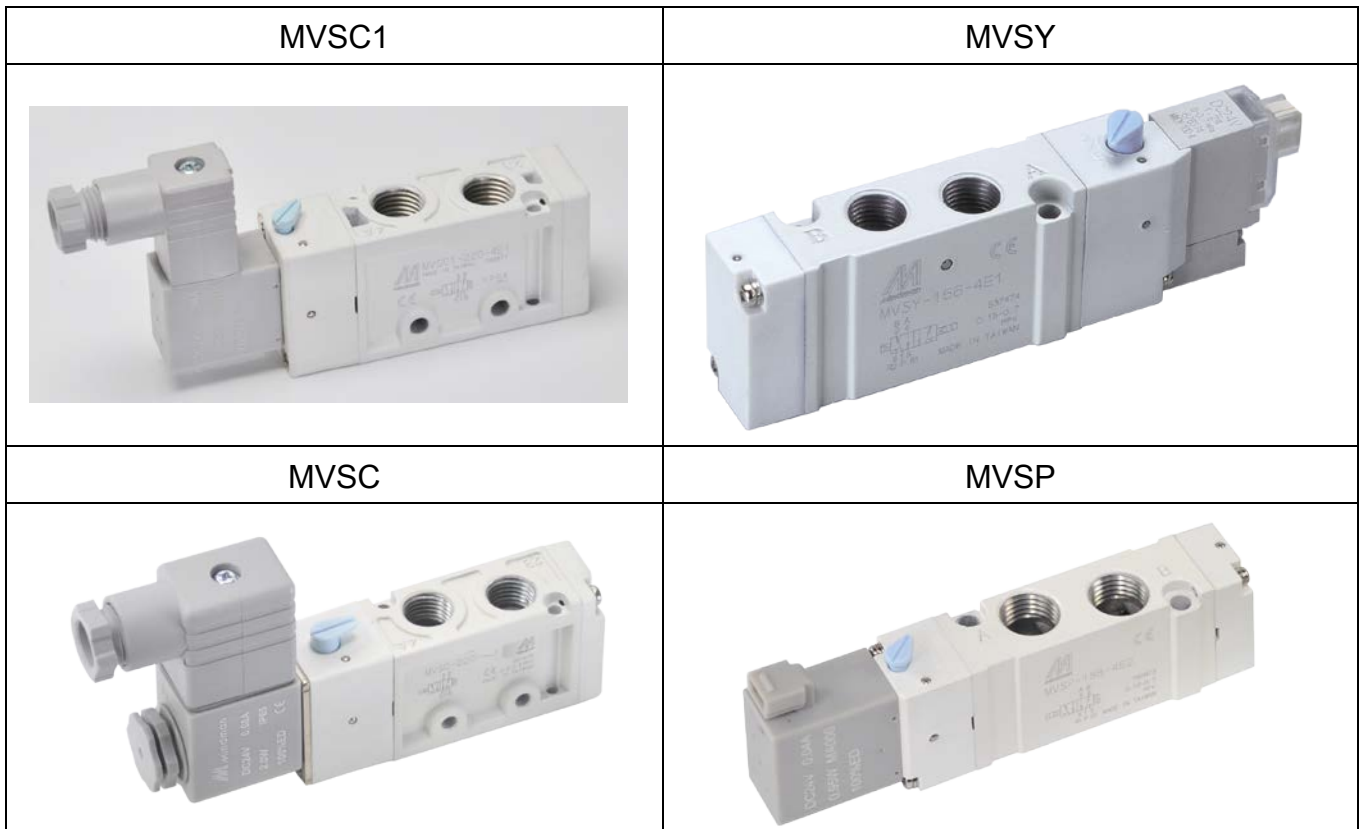
From Dec. 2017, MVSP-220 will be renamed as MVSC1-220.

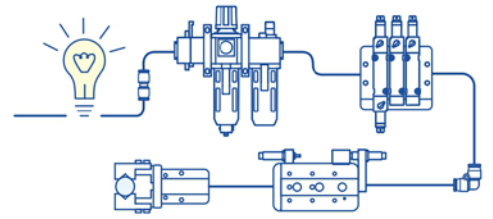


MVSC1-220 can be ordered from now on.

6. Mindman Solenoid Valve line

Solenoid Valve					
Model	Body Width	Port size	Model	Body Width	Port size
MVSC1	150	M5	MVSY	100	M5
	180	1/8		156	1/8
	220	1/4		188	1/4
	15mm Coil			10mm Coil	
Alternative to SMC-SY					
MVSC	220	1/4	MVSP (Economic line)	156	1/8
	260	1/4		188	1/4
	300	3/8		15mm Coil	
	460	1/2		1. Closed coil design with dirt resistance; can be applied to general industries. 2. Prices are more competitive than MVSY.	
	22mm Coil				





7. Others

If there is any question, please contact our sales department.