

JuLY 19th, 2019

MCQV/MCQV2 Standard Cylinder

Thank you for supporting Mindman products.

MCQV/MCQV2 Standard Cylinder will have following changes.

1. Model series

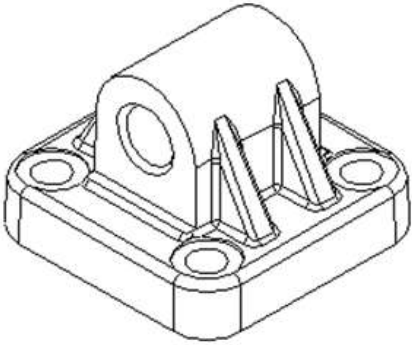
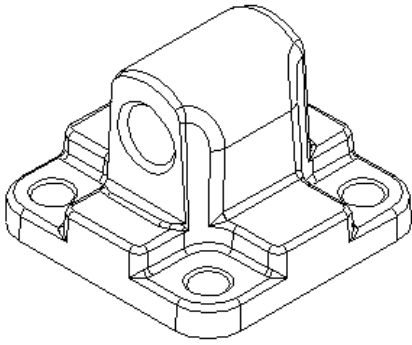
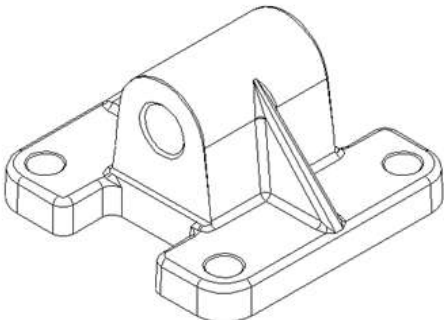
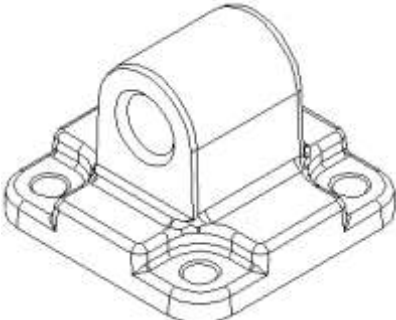
MCQV/MCQV2

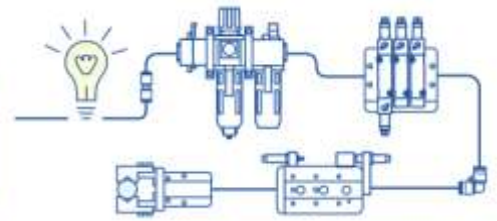
2. Reason

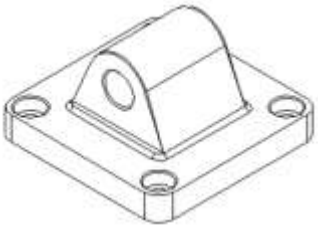
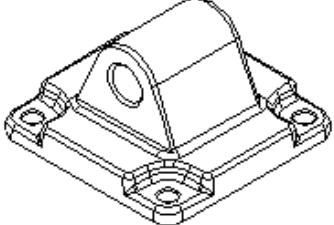
Changing the dimensions and profiles of accessories of MCQV series to fit ISO 15552.

3. Design change

MOUNTING TYPE CA

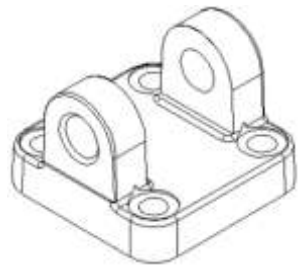
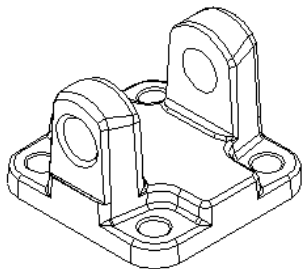
BEFORE	AFTER
MCQV2-Ø32	
	
MCQV2-Ø40~ Ø100	
	

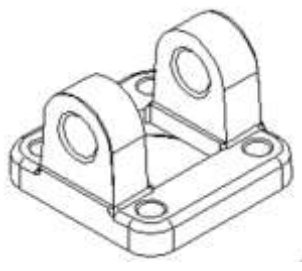
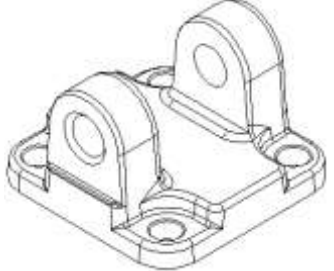


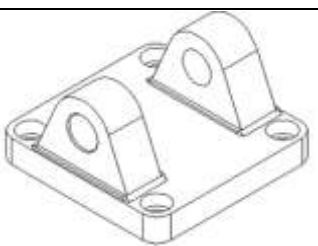
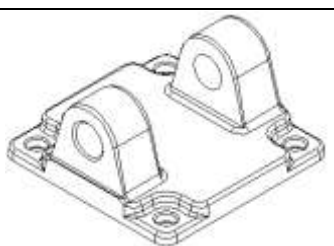
MCQV-Ø125~ Ø200	
	

MOUNTING TYPE CB

BEFORE	AFTER
--------	-------

MCQV2-Ø32	
	

MCQV2-Ø40~ Ø100	
	

MCQV-Ø125~ Ø200	
	

4.Effective Date

Do not affect the usage, and will replace sequentially.

5.Other

If there is any question, please contact our sales department.