



2015/06/26

MVSY-156-1A&2A Mounting Position Change Notification

Thank for your support for Mindman product, we would change the mounting position of **MVSY-156-1A&2A** for MVSY series solenoid valve. Sorry for any inconvenience may occur. Thank you for your cooperation.

1. Model series

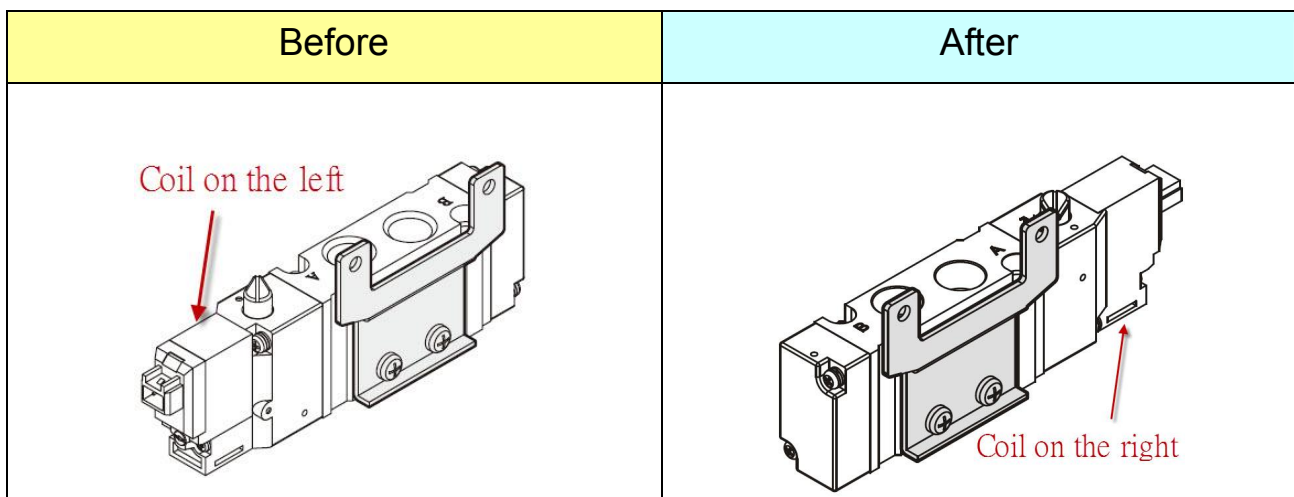
MVSY-156 series solenoid valve

2. Design change reason

To unify the mounting position of bracket on MVSY series.

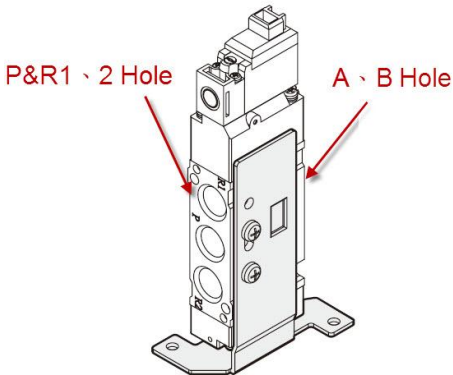
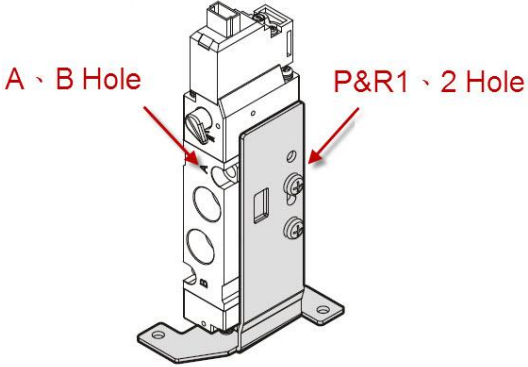
3. Design change

A. **MVSY-156-1A** bracket mounting position:





B. **MVSY-156-2A** bracket mounting position:

Before	After
	

4. Effective Date

Effective on July 2015.

5. If you have any question, please contact our sales representative.