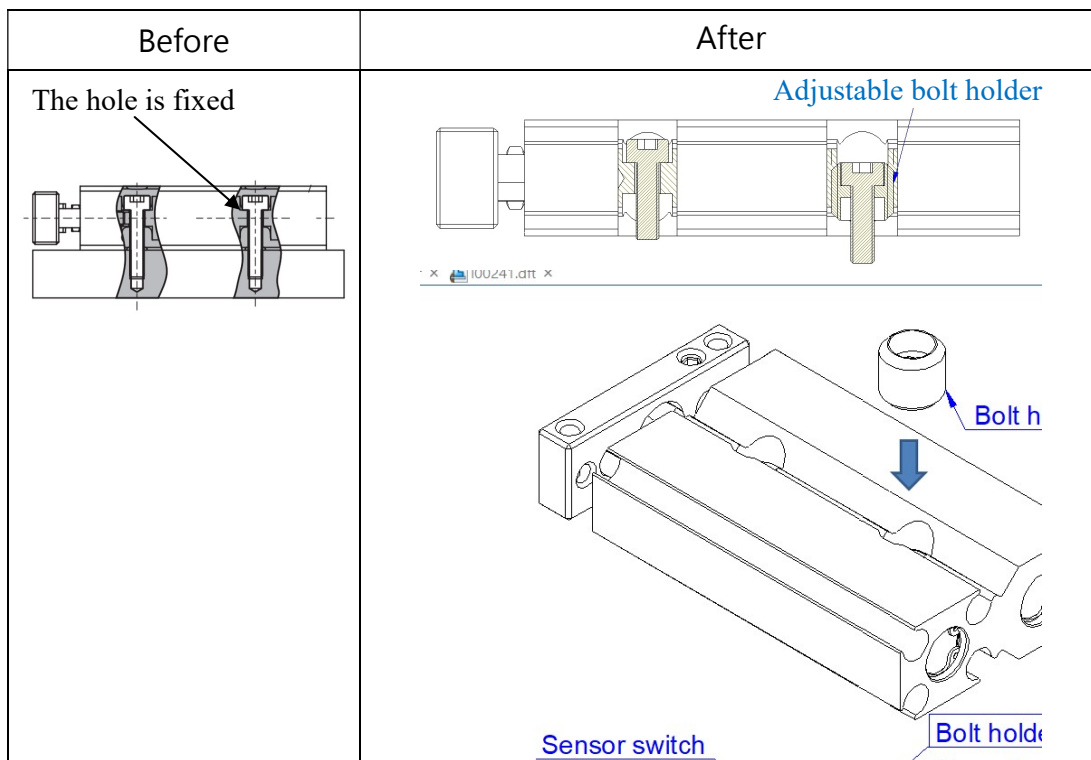


2019/07/19

MCDJ-Ø6/Ø10(-P) Configuration Change Notice

Thank you for supporting Mindman products.
MCDJ-Ø6/Ø10(-P) configuration will have following changes.
Sorry for any potential inconvenience.
Thank you for your cooperation.

1. Model series
MCDJ-Ø6/Ø10(-P).
2. Design change reason
Optimize installation characteristic.
3. Design change



4. Effective Date
Start from July 19th, 2019.
5. If there is any further question, please contact our sales department.