

2020/02/25

## MVSC-300/460-3E1/3E2 solenoid valve

## MVAA-300/460-3A1/3A2 solenoid valve

### Notification for change of side fixing hole position

Thank you for your support and promotion of products of Mindman.

The MVSC-300 / 460-3E1 / 3E2 series solenoid valve and the MVAA-300 / 460-3A1 / 3A2 pneumatic valve will be changed as follows.

Sorry to cause trouble to customers. We ask for your kindly understanding and cooperation. Thank you.

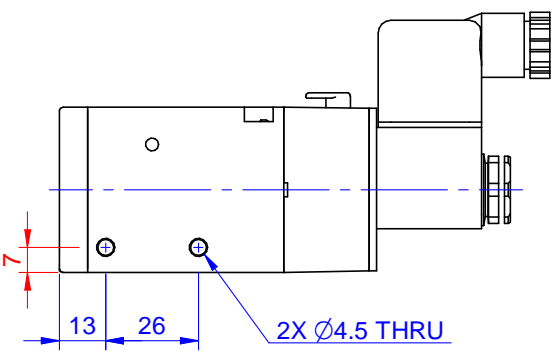
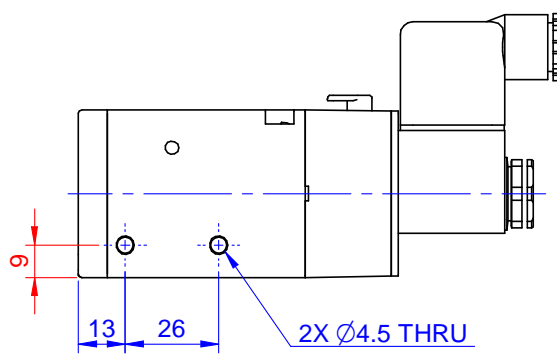
#### 1. Product model

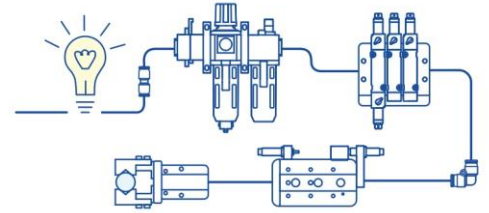
MVSC-300-3E1-NC/NO series ‧ MVSC-300-3E2 series  
MVSC-460-3E1-NC/NO series ‧ MVSC-460-3E2 series  
MVAA-300-3A1-NC/NO series ‧ MVAA-300-3A2 series  
MVAA-460-3A1-NC/NO series ‧ MVAA-460-3A2 series

#### 2. Reason for change

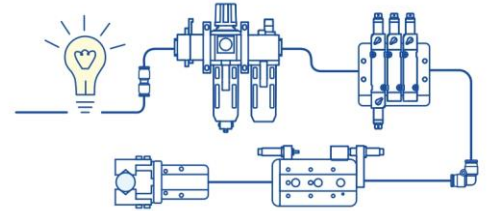
Raise the fixing holes on the side of the body to avoid interference with the end cover fixing screws.

#### 3. Changes descriptions

	Before	After
	MVSC-300-3E1-NC/NO	
Dimension		



	Before	After
	MVSC-300-3E2	
Dimension		
	MVSC-460-3E1-NC/NO	
Dimension		
	MVSC-460-3E2	
Dimension		
	MVAA-300-3A1-NC/NO	
Dimension		



	Before	After
	MVAA-300-3A2	
Dimension		
	MVAA-460-3A1-NC/NO	
Dimension		
	MVAA-460-3A2	
Dimension		

4. Date of change implemented

Make sure that product performance will not be affected and customer use, adopting fade out replacement.

5. Other

If you have any other questions, please contact our sales department.