


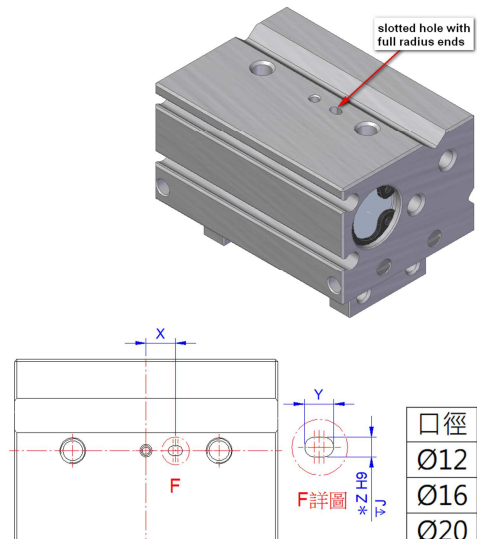
Dec. 4th, 2020

MCHU Series

Add Locating Hole Notification

Thank you for supporting Mindman products. The design change will apply to the following models. Sorry for any inconvenience may occur. Please kindly understand and cooperate.

1. Model series
MCHU-Ø12/Ø16/Ø20
2. Design change reason
For locating gripper when installing.
3. Change descriptions

Before	After																				
Without slotted hole with full radius ends.	Add slotted hole with full radius ends.																				
	 <table border="1" style="margin-left: auto; margin-right: auto;"> <thead> <tr> <th>口徑</th> <th>X</th> <th>Y</th> <th>Z</th> <th>J</th> </tr> </thead> <tbody> <tr> <td>Ø12</td> <td>6</td> <td>3</td> <td>2</td> <td>2</td> </tr> <tr> <td>Ø16</td> <td>10</td> <td>4</td> <td>3</td> <td>4</td> </tr> <tr> <td>Ø20</td> <td>15</td> <td>4</td> <td>3</td> <td>6</td> </tr> </tbody> </table>	口徑	X	Y	Z	J	Ø12	6	3	2	2	Ø16	10	4	3	4	Ø20	15	4	3	6
口徑	X	Y	Z	J																	
Ø12	6	3	2	2																	
Ø16	10	4	3	4																	
Ø20	15	4	3	6																	

4. Effective date
It will not affect the performance and usage, and will replace sequentially.
5. If there is any questions, please contact our sales department.