



June 17th, 2021

MCQN-80 (3-1/4")
CB, CB2 Part Appearance Optimization,
screw length Change Notification

Thank you for supporting Mindman products. The design change will apply to the following models. Sorry for any inconvenience may occur. Please kindly understand and cooperate.

1. Model series

MCQN - Ø80 (3-1/4") CB 、CB2

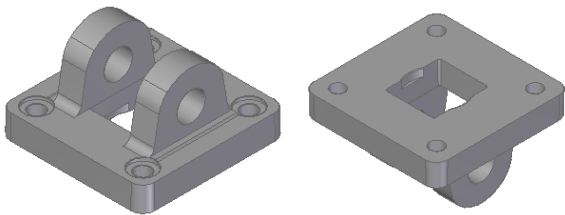
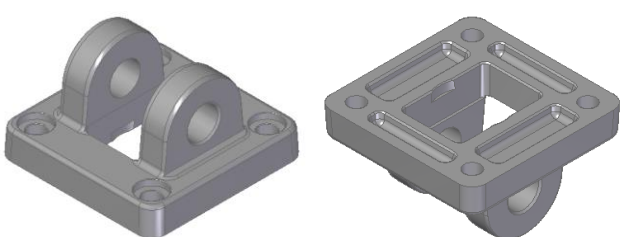
2. Design change reason

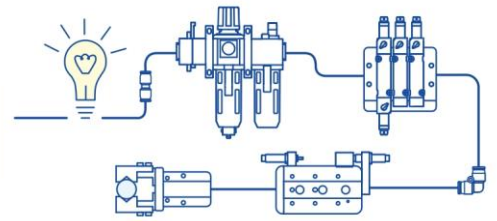
1. CB : Optimise shape, reduced weight.

2. CB 、CB2 : Change the depth of the counterbore and the length of the bolt to ensure lock function.

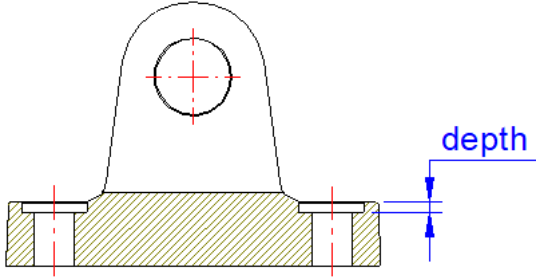
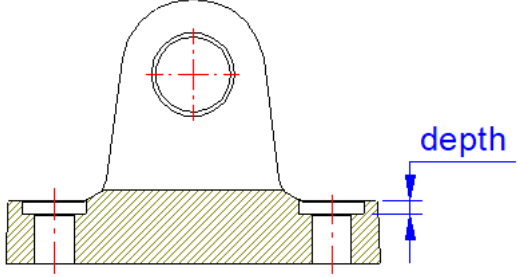
3. Change descriptions

1. CB : Optimise the shape.

Before		After	
CB		CB	



2. CB、CB2 : Change the counterbore depth and the bolt length.

Before	After
<p>CB、CB2</p>  <p>Bolt length : 3/8-24UNF*1-1/8"</p>	<p>CB、CB2</p>  <p>Bolt length : 3/8-24UNF*1"</p>

4. Effective date

It will not affect the performance and usage, and will replace sequentially.

5. If there is any questions, please contact our sales department.