



May 2nd, 2023

MEQI-50 Series and Accessories LC

Design Change Notification

Thank you for supporting Mindman products. The design change will apply to the following models. Sorry for any inconvenience may occur. Please kindly understand and cooperate.

1. Model series

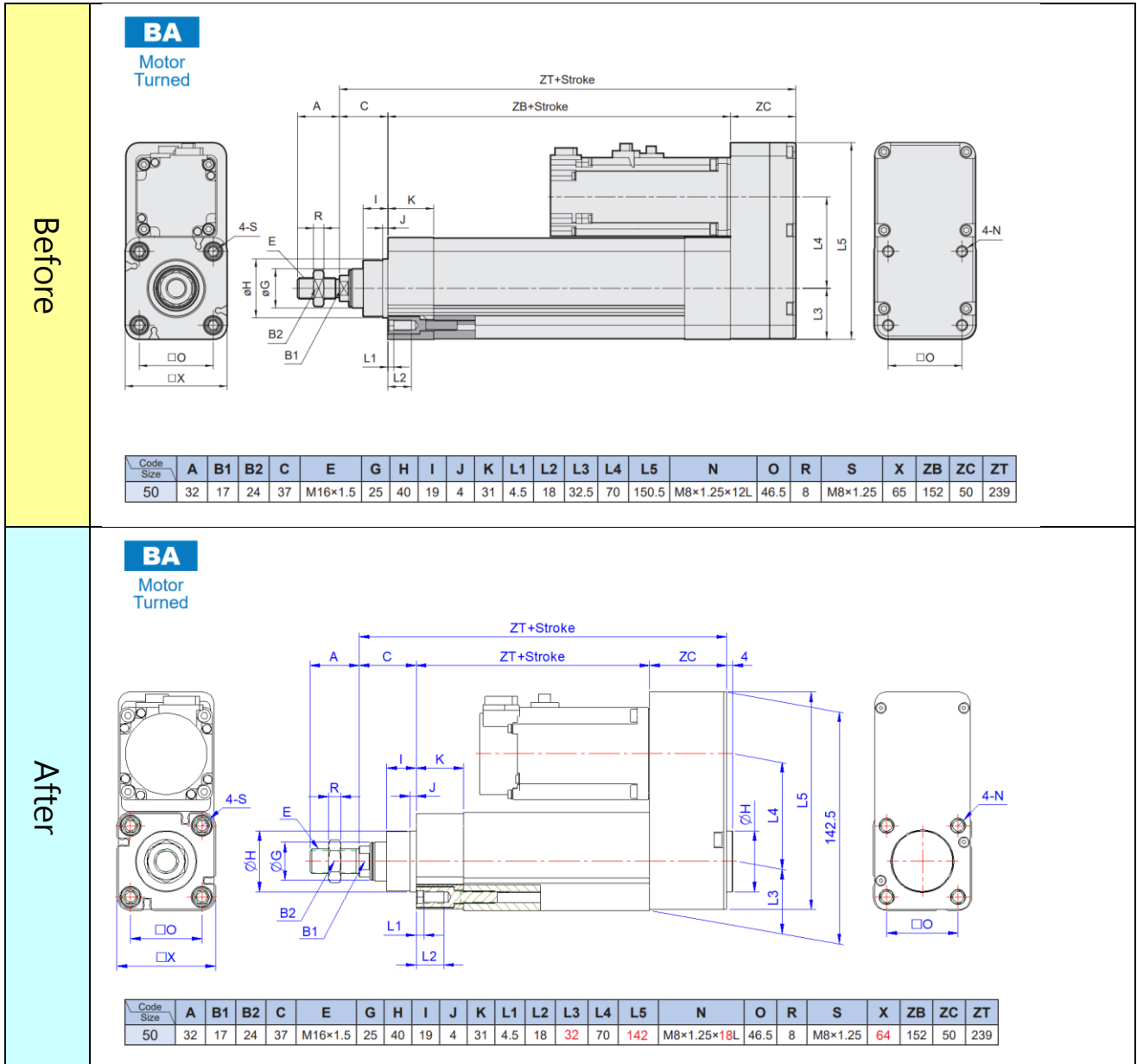
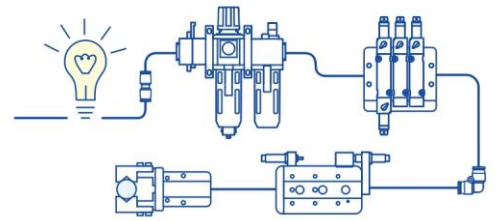
MEQI-50 Series

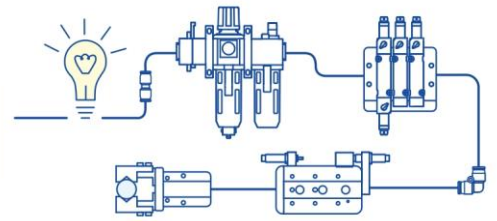
2. Design change reason

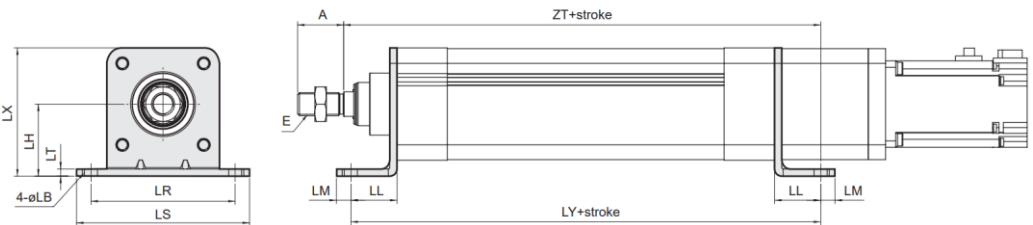
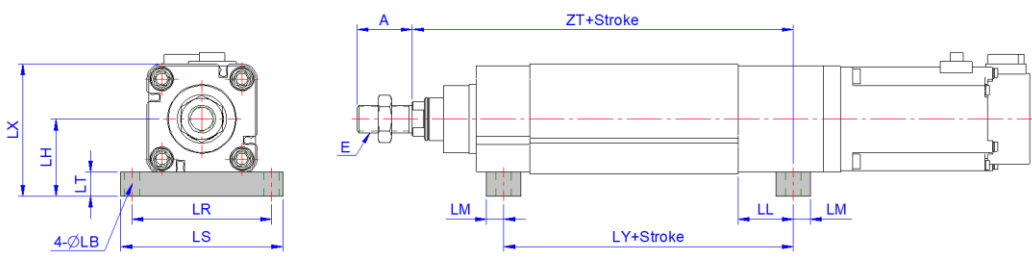
Design optimization.

3. Change descriptions

Before	<p>BC Motor direct connection</p>																																																																	
	<table border="1"> <thead> <tr> <th>Code</th> <th>A</th> <th>B1</th> <th>B2</th> <th>C</th> <th>E</th> <th>G</th> <th>H</th> <th>I</th> <th>J</th> <th>K</th> <th>L1</th> <th>L2</th> <th>O</th> <th>R</th> <th>S</th> <th>X</th> <th>ZB</th> <th colspan="2">ZC</th> <th colspan="2">ZT</th> </tr> <tr> <th>Size</th> <th></th> <th></th> <th></th> <th></th> <th></th> <th></th> <th></th> <th></th> <th></th> <th></th> <th></th> <th></th> <th></th> <th></th> <th></th> <th></th> <th></th> <th>servo</th> <th>step</th> <th>servo</th> <th>step</th> </tr> </thead> <tbody> <tr> <td>50</td> <td>32</td> <td>17</td> <td>24</td> <td>37</td> <td>M16×1.5</td> <td>25</td> <td>40</td> <td>19</td> <td>4</td> <td>31</td> <td>4.5</td> <td>18</td> <td>46.5</td> <td>8</td> <td>M8×1.25</td> <td>65</td> <td>152</td> <td>67</td> <td>48</td> <td>256</td> <td>239</td> </tr> </tbody> </table>	Code	A	B1	B2	C	E	G	H	I	J	K	L1	L2	O	R	S	X	ZB	ZC		ZT		Size																		servo	step	servo	step	50	32	17	24	37	M16×1.5	25	40	19	4	31	4.5	18	46.5	8	M8×1.25	65	152	67	48	256
Code	A	B1	B2	C	E	G	H	I	J	K	L1	L2	O	R	S	X	ZB	ZC		ZT																																														
Size																		servo	step	servo	step																																													
50	32	17	24	37	M16×1.5	25	40	19	4	31	4.5	18	46.5	8	M8×1.25	65	152	67	48	256	239																																													
After	<p>BC Motor direct connection</p>																																																																	
	<table border="1"> <thead> <tr> <th>Code</th> <th>A</th> <th>B1</th> <th>B2</th> <th>C</th> <th>E</th> <th>G</th> <th>H</th> <th>I</th> <th>J</th> <th>K</th> <th>L1</th> <th>L2</th> <th>O</th> <th>R</th> <th>S</th> <th>X</th> <th>ZB</th> <th>ZC</th> <th>ZT</th> </tr> </thead> <tbody> <tr> <td>50</td> <td>32</td> <td>17</td> <td>24</td> <td>37</td> <td>M16×1.5</td> <td>25</td> <td>40</td> <td>19</td> <td>4</td> <td>31</td> <td>4.5</td> <td>18</td> <td>46.5</td> <td>8</td> <td>M8×1.25</td> <td>64</td> <td>152</td> <td>59.5</td> <td>248.5</td> </tr> </tbody> </table>	Code	A	B1	B2	C	E	G	H	I	J	K	L1	L2	O	R	S	X	ZB	ZC	ZT	50	32	17	24	37	M16×1.5	25	40	19	4	31	4.5	18	46.5	8	M8×1.25	64	152	59.5	248.5																									
Code	A	B1	B2	C	E	G	H	I	J	K	L1	L2	O	R	S	X	ZB	ZC	ZT																																															
50	32	17	24	37	M16×1.5	25	40	19	4	31	4.5	18	46.5	8	M8×1.25	64	152	59.5	248.5																																															





Before	<p>LC * Only for (BC) motor direct connection type.</p>  <table border="1" data-bbox="510 795 1077 862"> <thead> <tr> <th>Code Size</th> <th>A</th> <th>E</th> <th>LB</th> <th>LH</th> <th>LL</th> <th>LM</th> <th>LR</th> <th>LS</th> <th>LT</th> <th>LX</th> <th>LY</th> <th>ZT</th> </tr> </thead> <tbody> <tr> <td>50</td> <td>32</td> <td>M16×1.5</td> <td>9</td> <td>45</td> <td>32</td> <td>10</td> <td>90</td> <td>110</td> <td>5</td> <td>77.5</td> <td>216</td> <td>221</td> </tr> </tbody> </table>	Code Size	A	E	LB	LH	LL	LM	LR	LS	LT	LX	LY	ZT	50	32	M16×1.5	9	45	32	10	90	110	5	77.5	216	221
	Code Size	A	E	LB	LH	LL	LM	LR	LS	LT	LX	LY	ZT														
50	32	M16×1.5	9	45	32	10	90	110	5	77.5	216	221															
After	<p>LC * Only for (BC) motor direct connection type.</p>  <table border="1" data-bbox="510 1355 1077 1422"> <thead> <tr> <th>Code Size</th> <th>A</th> <th>E</th> <th>LB</th> <th>LH</th> <th>LL</th> <th>LM</th> <th>LR</th> <th>LS</th> <th>LT</th> <th>LX</th> <th>LY</th> <th>ZT</th> </tr> </thead> <tbody> <tr> <td>50</td> <td>32</td> <td>M16×1.5</td> <td>9</td> <td>45</td> <td>32</td> <td>10</td> <td>81</td> <td>94</td> <td>14</td> <td>77</td> <td>168</td> <td>221</td> </tr> </tbody> </table>	Code Size	A	E	LB	LH	LL	LM	LR	LS	LT	LX	LY	ZT	50	32	M16×1.5	9	45	32	10	81	94	14	77	168	221
	Code Size	A	E	LB	LH	LL	LM	LR	LS	LT	LX	LY	ZT														
50	32	M16×1.5	9	45	32	10	81	94	14	77	168	221															

4. Effective date

- It will not affect the usage of finished product, and will replace sequentially.
- Accessories **LC** will be replaced from Oct. , 2023.

5. If there is any questions, please contact our sales department.