

Nov. 12<sup>th</sup>, 2024

## Sensor Integration Notice

Thank you for supporting Mindman products. The design change will apply to the following models. Sorry for any inconvenience may occur. Please kindly understand and cooperate.

### 1. Model series

Sensor RCE、RCE1、RDFE(V)、RDGV、RCD、RCI、RCA、RCB、RCM series.

### 2. Design change reason

Product line integration with total six types of sensor including RDC/RQC(Horizontal)、RDCV/RQCV(Vertical)、RDT/RQT(Horizontal).

Note:

The previous NPN/PNP type sensors have been integrated into the new Q type model. These sensors automatically detect and switch to the corresponding mode based on your NPN/PNP wiring configuration.

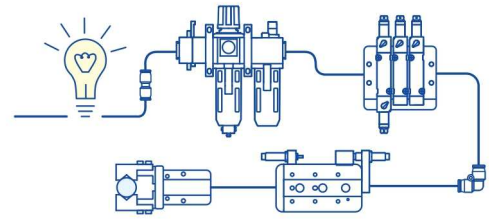
### 3. Change descriptions

Please refer to page 2-4.



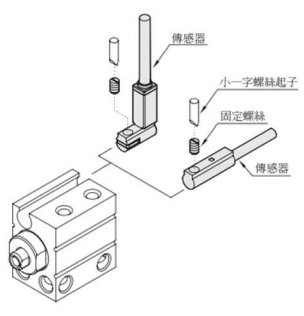
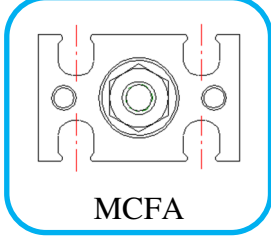

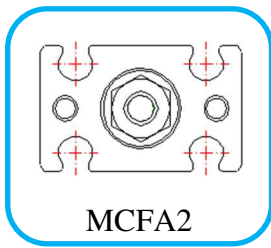


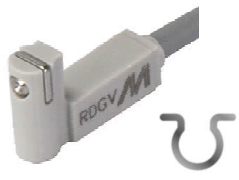



### 4. Effective date

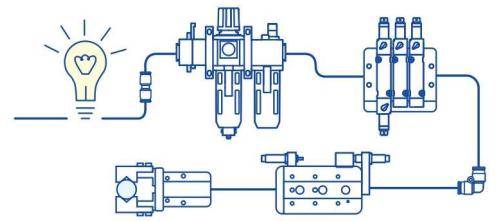
This change takes effect starting November 5th, 2024. The exact implementation date will be announced shortly.








### 5. If there is any question, please contact our sales department.

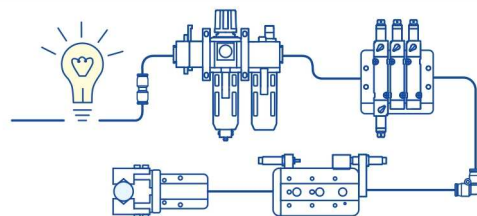


※ Change Descriptions:

Before [Current Specification]		After [New Specification]		Mating Parts Change
Sensor Type	Groove Type	Sensor Type	Groove Type	Installation Change
RCE series	 	RDC RQC [Horizontal] / RDCV RQCV [Vertical]		<p>※Reference:</p>  <p>MCFA</p> <p>Installing Groove Modification</p>   <p>MCFA2</p>
RCE1 series				
RDFE series	 			
RDFEV series				
RDGV series	 			
RCD series				
RCB series	 			
RCI series				



Before [Current Specification]		After [New Specification]		Mating Parts Change
Sensor Type	Exterior & Groove Type	Sensor Type	Steel Strip & Retaining Bracket Type	Steel Strip & Retaining Bracket Modification
RCA series	Retaining Bracket Type 	RDC RQC [Horizontal] / RDCV RQCV [Vertical] / RDT RQT [Horizontal]	T shape / C shape 	 Retaining Bracket Modification
	Steel Strip Type 		T shape / C shape 	 Steel Strip Modification
RCM series	Steel Strip Type 			



※ Sensor Modification Before & After Comparisons are as follows [Use RCE1 series、RCI series、RCM series as examples] :

Confirmation Process Step1~3											
Before [Current Model Specification]				After [New Model Specification]							
Step 1	Spec	Step 2	Step 3	Step 1	Step 2	Step 3	Spec				
Installing Method		Wiring Type	Contact Type	Groove Type	Wiring Type	Contact Type	C shape	T shape			
Groove	RCE1	Dual	Reed switch	C shape	Dual Wires	Non-contact	/				
	RDE1E	Wires	Non-contact								
	RNE1E	Triple	Non-contact -NPN						Triple Wires	Non-contact -NPN / PNP	RQC /
	RPE1E	Wires	Non-contact -PNP								RQCV
	RCI	Dual	Reed switch	T shape	Triple Wires	Non-contact -NPN / PNP				RDT	
	RCI1	Wires	Reed switch								
	RCI-N	Triple Wires	Reed switch								
	RCI-P		Reed switch								
	RNI		Non-contact -NPN								
RPI	Non-contact -PNP										
Steel Strip, Retaining Bracket	RCM	Dual	Reed switch	C shape ; T shape	Dual Wires	Non-contact	/				
	RDM	Wires	Non-contact								
	RNM	Triple Wires	Non-contact -NPN	C shape ; T shape	Triple Wires	Non-contact -NPN / PNP				RQT	
	RNME										
	RPM		Non-contact -PNP								
	RPME										