



2016/08/08

MVSC-220/260/300/460、MVSE-260/300/500、MVDC-220、MVSN-220/300、MVSI-450 and MAVS-300/400 Series of 「Lead Wire(W)」 Solenoid Valve discontinued Notification

Thank you for your continuous support on Mindman product for these years. We would like to discontinue **MVSC-220/260/300/460、MVSE-260/300/500、MVDC-220、MVSN-220/300、MVSI-450 and MAVS-300/400** Series of 「Lead Wire(W)」 Solenoid Valve. Sorry for any potential inconvenience.

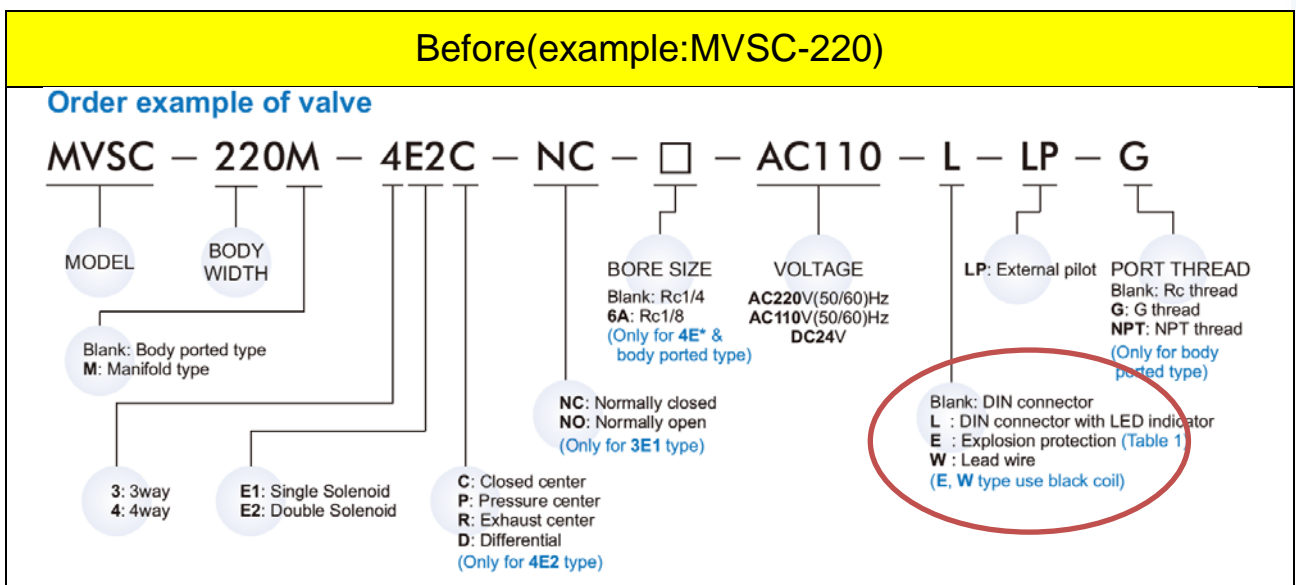
1. Product Series

- MVSC-220/260/300/460**
- MVSE-260/300/500**
- MVDC-220**
- MVSN-220/300**
- MVSI-450**
- MAVS-300/400**

2. Design Change Reason

To simplify product lines, series of lead wire solenoid valve will be discontinued to produce.

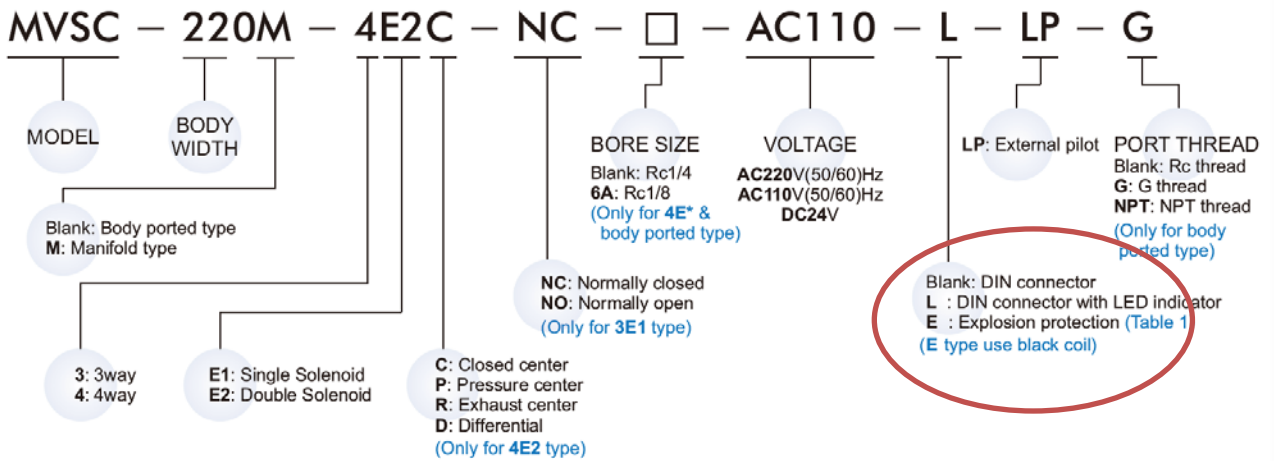
3. Design Change





After(example: MVSC-220)

Order example of valve



4. Effective Date

With immediate effect.

5. If you have any problem, please contact your sales representative.