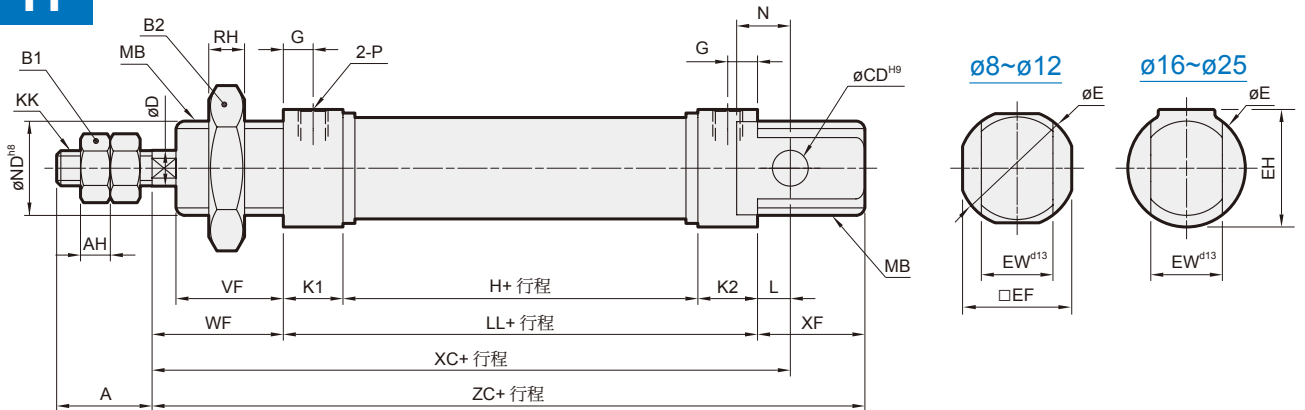


MCMI 外觀尺寸 - 複動型 $\phi 8 \sim \phi 25$

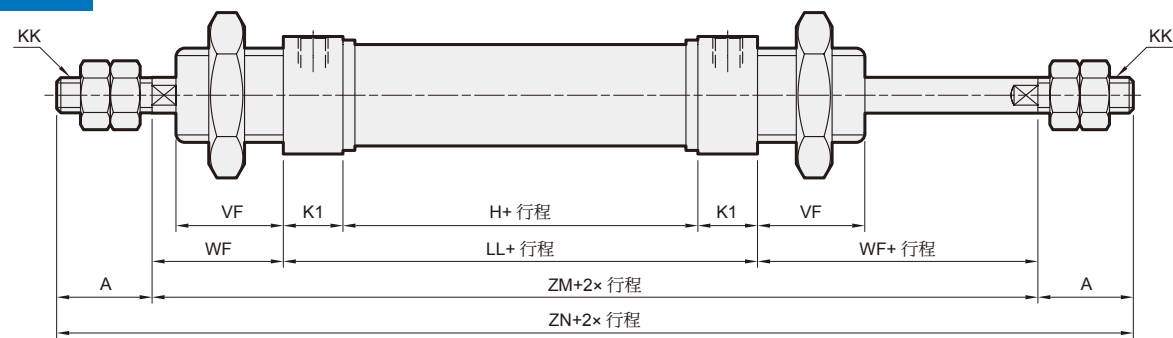
ISO-6432 迷你氣壓缸



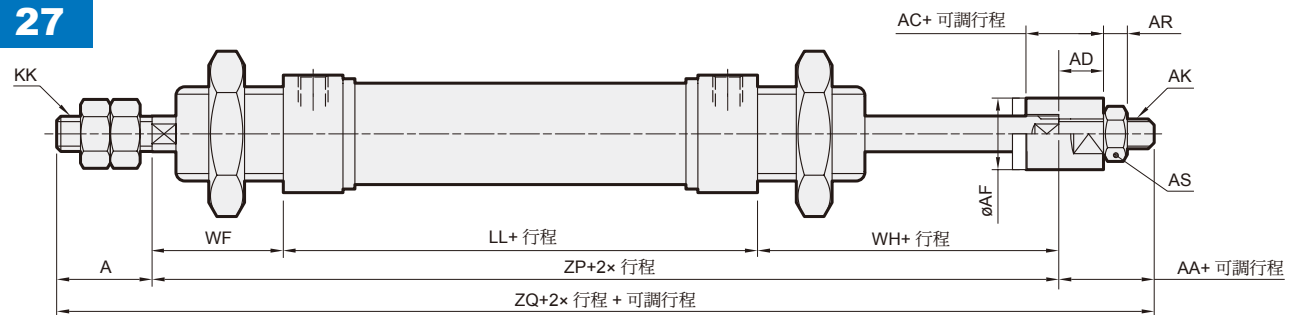
11



21



27



代號 內徑	A	AA	AC	AD	AF	AH	AK	AR	AS	B1	B2	CD	D	E	EF	EH	EW	G	H	KK	K1	K2	L	LL
8	12	-	-	-	-	3.2	-	-	-	7	19	4	4	16.7	15	-	8	6	24	M4×0.7	11	11	2	46
10	12	-	-	-	-	3.2	-	-	-	7	19	4	4	16.7	15	-	8	6	24	M4×0.7	11	11	2	46
12	16	-	-	-	-	5	-	-	-	10	24	6	6	19.7	-	-	12	6	28	M6×1.0	11	11	3	50
16	16	16	13	7.5	12	5	M5×0.8	4	8	10	22	6	6	20	-	20	12	5	34.5	M6×1.0	10	10	5.5	54.5
20	20	19	15	9.5	16	5	M8×1.25	5	13	13	30	8	8	27	-	27	16	8	38	M8×1.25	15	15	3	68
25	22	19	15	9.5	16	6	M8×1.25	5	13	17	30	8	10	27	-	27	16	7.5	37	M10×1.25	15	15	9	67

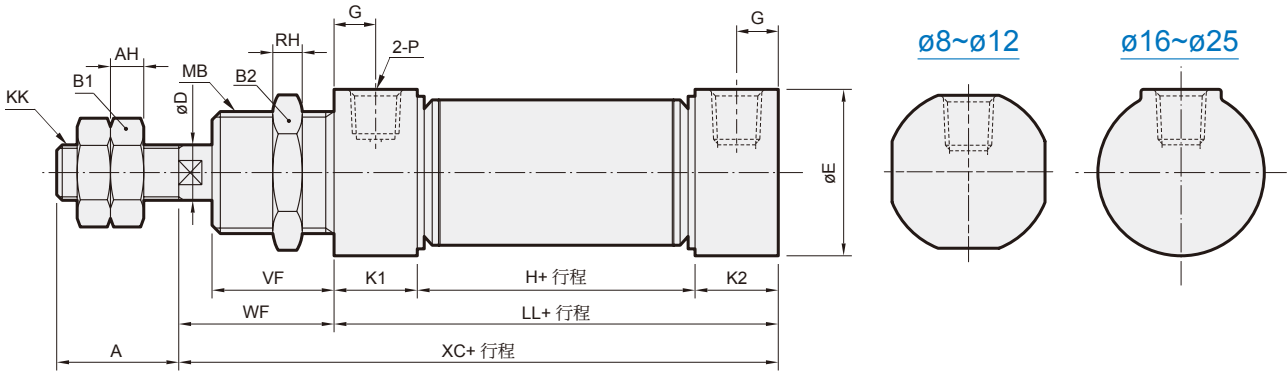
代號 內徑	MB	N	ND	P	RH	VF	WF	WH	XC	XF	ZC	ZM	ZN	ZP	ZQ
8	M12×1.25	6	12	M5×0.8	6	12	16	-	64	12	74	-	-	-	-
10	M12×1.25	6	12	M5×0.8	6	12	16	-	64	12	74	-	-	-	-
12	M16×1.5	9	16	M5×0.8	8	17	22	-	75	17	89	-	-	-	-
16	M16×1.5	9	16	M5×0.8	6	18	22	25.5	82	18	94.5	98.5	130.5	102	134
20	M22×1.5	12	22	G1/8	6	20	24	27	95	20	112	116	156	119	158
25	M22×1.5	12	22	G1/8	6	22	28	29.5	104	22	117	123	167	124.5	165.5

MCMI 外觀尺寸 – 複動型 $\phi 8 \sim \phi 25$

ISO-6432 迷你氣壓缸



N



代號 內徑	A	AH	B1	B2	D	E	G	H	KK	K1	K2	LL	MB	P	RH	VF	WF	XC
8	12	3.2	7	19	4	16.7	6	24	M4×0.7	11	11	46	M12×1.25	M5×0.8	6	12	16	62
10	12	3.2	7	19	4	16.7	6	24	M4×0.7	11	11	46	M12×1.25	M5×0.8	6	12	16	62
12	16	5	10	24	6	19.7	6	28	M6×1.0	11	11	50	M16×1.5	M5×0.8	8	17	22	72
16	16	5	10	22	6	20	5	34.5	M6×1.0	10	10	54.5	M16×1.5	M5×0.8	6	18	22	76.5
20	20	5	13	30	8	27	8	38	M8×1.25	15	15	68	M22×1.5	G1/8	6	20	24	92
25	22	6	17	30	10	27	7.5	37	M10×1.25	15	15	67	M22×1.5	G1/8	6	22	28	95

FA

代號 內徑	A	FB	FE	FF	FP	FT	W	XC
8	12	4.5	22	40	30	3.2	12.8	62
10	12	4.5	22	40	30	3.2	12.8	62
12	16	5.5	26	52	40	3.2	18.8	72
16	16	5.5	26	52	40	3.2	18.8	76.5
20	20	6.6	38	64	50	4.5	19.5	92
25	22	6.6	38	64	50	4.5	23.5	96

