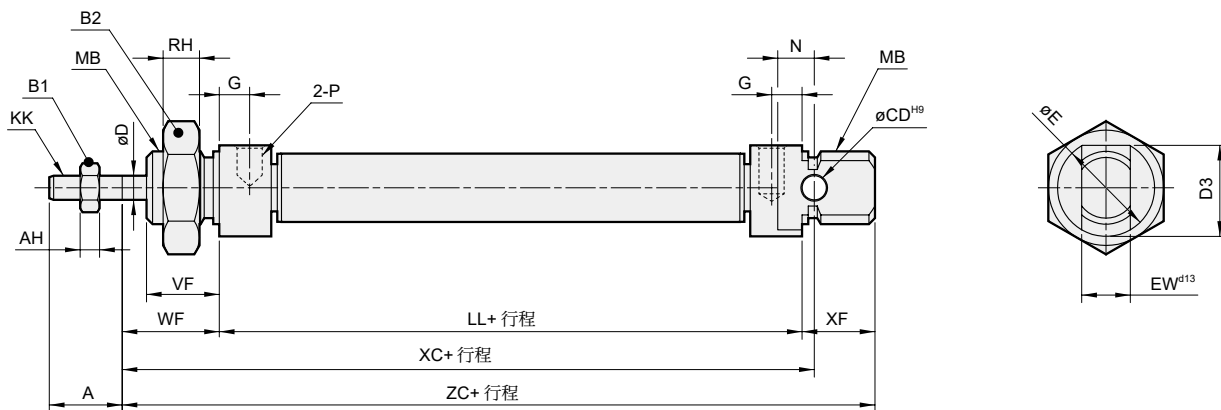
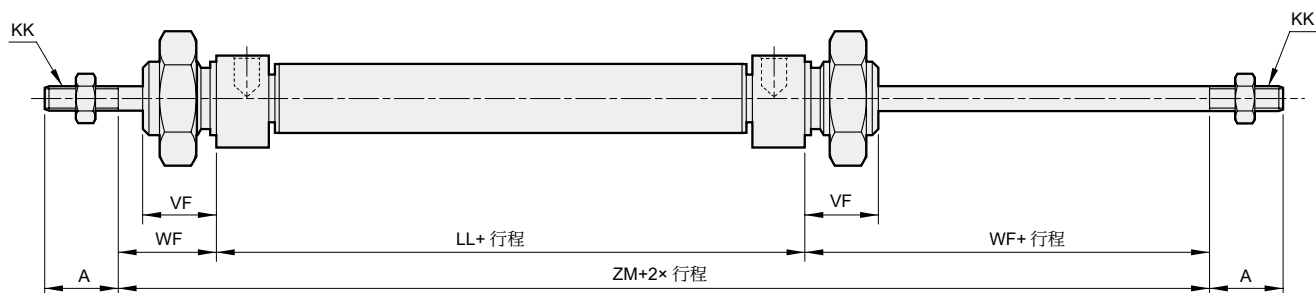


11



21



代號 內徑	A	AH	B1	B2	CD	D	D3	E	EW	G	KK	LL	MB	N	ND	P	RH	VF	WF	XC	XF	ZC	ZM
10	12	3.2	7	19	4	4	15	16	8	5	M4×0.7	46	M12×1.25	6	12	M5×0.8	7	12	16	64	12	74	-
12	16	4	10	22	6	6	18	19	12	5	M6×1.0	48	M16×1.5	9	16	M5×0.8	5	17	22	75	18	88	-
16	16	4	10	22	6	6	18	19	12	4.5	M6×1.0	53	M16×1.5	9	16	M5×0.8	5	18	22	82	18	93	-
20	20	5	13	27	8	8	25.5	27	16	8	M8×1.25	67	M22×1.5	12	22	G1/8	8	20	24	95	20	111	115
25	22	6	17	27	8	10	28.5	30	16	8	M10×1.25	68	M22×1.5	12	22	G1/8	8	22	28	104	22	118	124