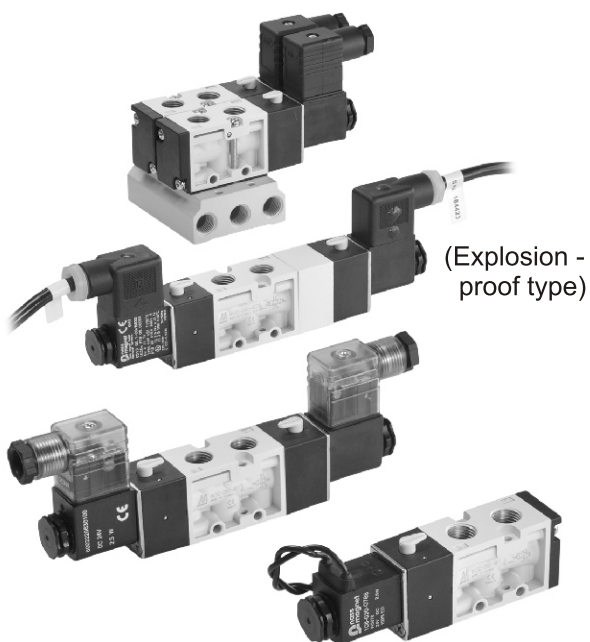


MVSC-260 series

SOLENOID VALVE



Specification

Model	4E1	4E2	4E2C.P.R
Bore No.	8A		
Port size	Rc1/4		
No. of port	5		
No. of position	2	3	
Medium	Air		
Operating pressure range	0.2~0.7 MPa	0.3~0.7 MPa	
Operating pressure (LP)	0~7 MPa		
External pilot pressure (LP)	0.2~0.7 MPa	0.3~0.7 MPa	
Proof pressure	1 MPa		
Effective orifice	18 mm ²	16 mm ²	
Response time	40 ms		
Ambient temperature	-5~+50℃ (No freezing)		
Voltage	AC110V, 220V (50/60)Hz, DC24V		
Power consumption	AC=4.8/4.4VA, 6/4.9VA, DC=2W		
Available voltage range	±10%		
Insulation class	F class		
Weight	228 g	314 g	444 g

Order example of valve

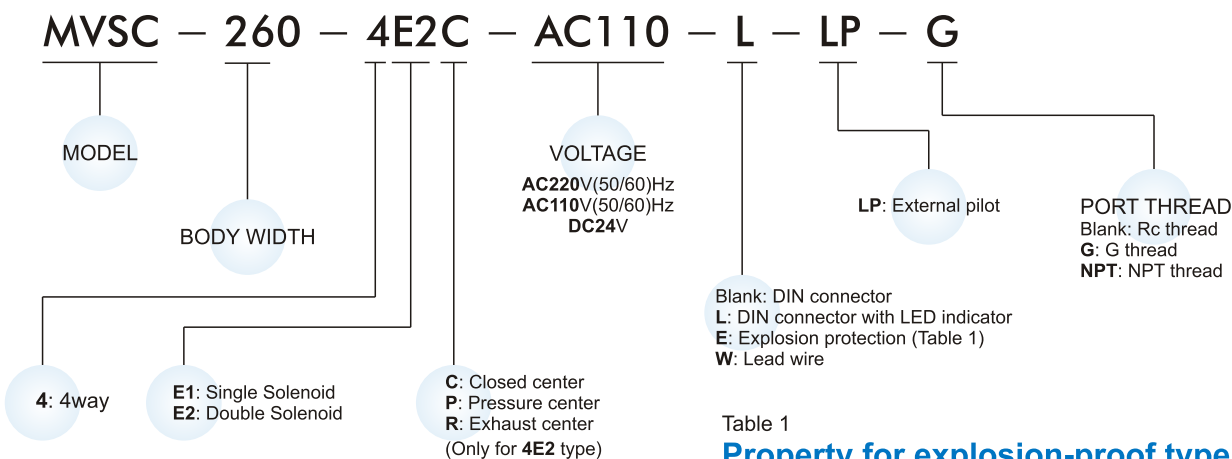


Table 1

Property for explosion-proof type

Anti-explosion class	EEx m II T4
Voltage	AC110V, 220V, (50/60)Hz, DC24V.
Power consumption	AC=4.4VA DC=5W
Available voltage range	±10%
Insulation class	F class

Order example of manifold

