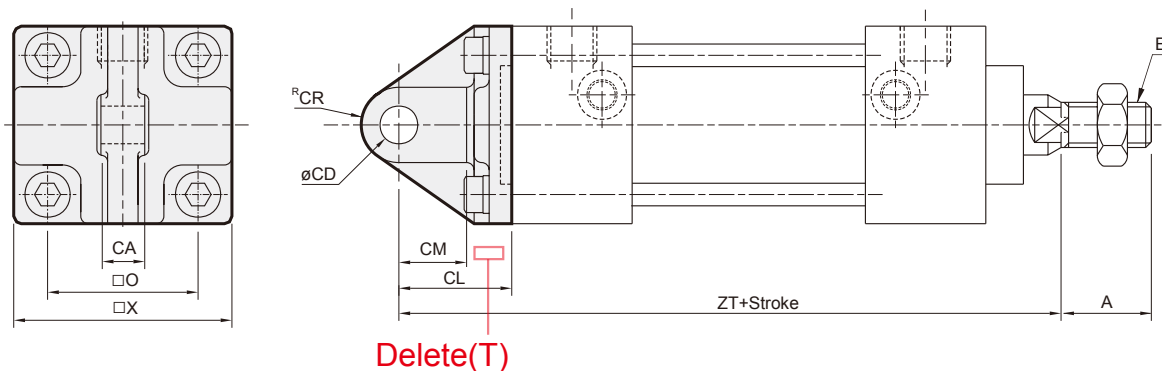
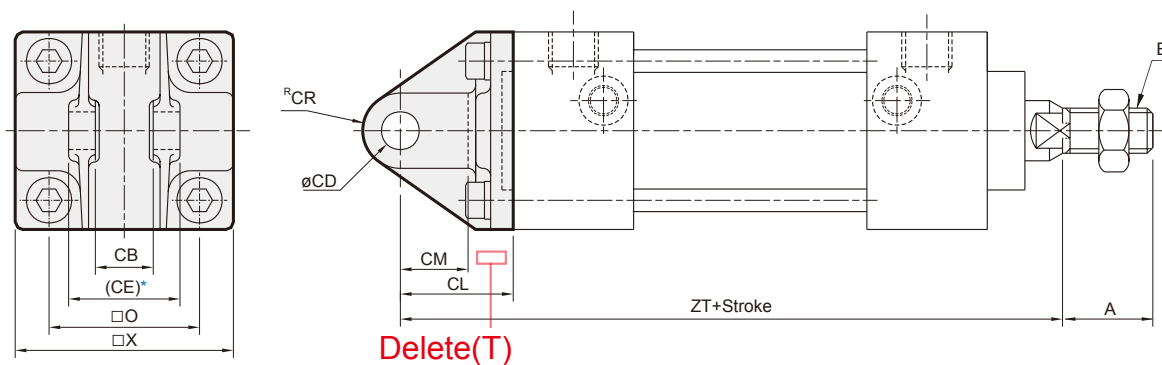


CA



Code Tube I.D.	A	CA	CD	CL	CM	CR	E	O	X	ZT
40	30	15 ^{-0.1 -0.3}	10 ^{H10}	30	18	10	M14×1.5	40.5	58	135
50	35	18 ^{-0.1 -0.3}	12 ^{H10}	35	22	12	M18×1.5	48	66	148
63	35	25 ^{-0.1 -0.3}	16 ^{H10}	40	27	16	M18×1.5	59	80	161
80	40	31.5 ^{-0.1 -0.3}	20 ^{H10}	48	30	20	M22×1.5	74	100	195
100	40	35.5 ^{-0.1 -0.3}	25 ^{H10}	58	38	25	M26×1.5	90	118	216

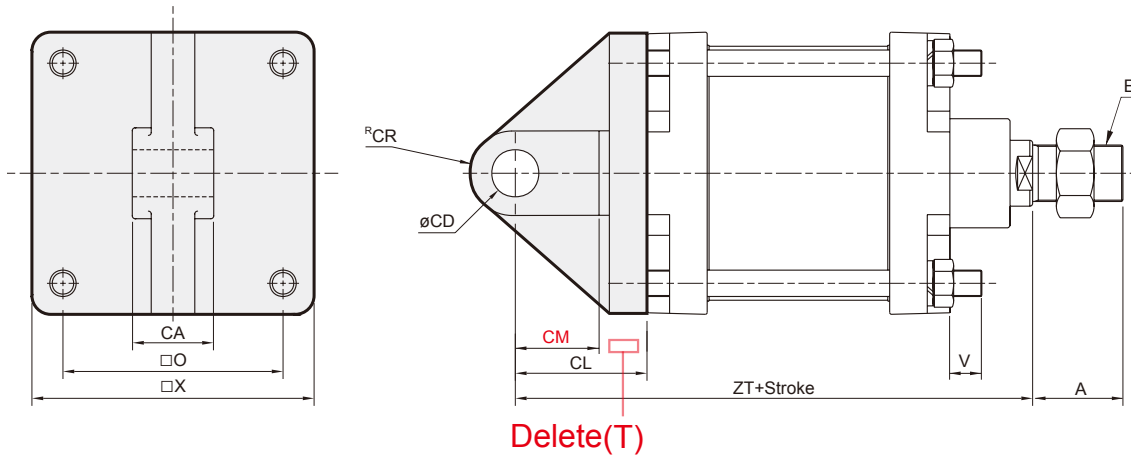
CB



* Please do not take the sand casting plate as the mounting plate, because we do not machine it. If you have this special demand, please contact our sales representative.

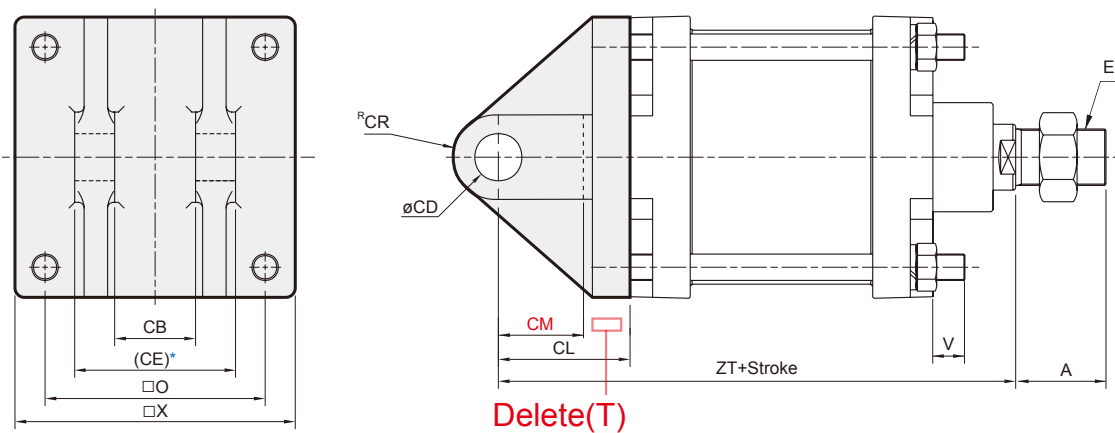
Code Tube I.D.	A	CB	CD	CE	CL	CM	CR	E	O	X	ZT
40	30	15 ^{+0.3 +0.1}	10 ^{H10}	29.5	30	18	10	M14×1.5	40.5	58	135
50	35	18 ^{+0.3 +0.1}	12 ^{H10}	38	35	22	12	M18×1.5	48	66	148
63	35	25 ^{+0.3 +0.1}	16 ^{H10}	49	40	27	16	M18×1.5	59	80	161
80	40	31.5 ^{+0.3 +0.1}	20 ^{H10}	59	48	30	20	M22×1.5	74	100	195
100	40	35.5 ^{+0.3 +0.1}	25 ^{H10}	64	58	38	25	M26×1.5	90	118	216

CA



Code Tube I.D.	A	CA	CD	CL	CM	CR	E	O	X	ZT	V
125	45	43 ^{-0.1} _{-0.3}	25 ^{H10}	65	45	24	M30×1.5	117	150	248	20
150	50	40 ^{-0.1} _{-0.3}	30 ^{H10}	78	53	27.5	M30×1.5	134	175	278	26
200	63	50 ^{-0.1} _{-0.3}	40 ^{H10}	85	55	40	M45×1.5	182	226	306	12

CB



* Please do not take the sand casting plate as the mounting plate, because we do not machine it. If you have this special demand, please contact our sales representative.

Code Tube I.D.	A	CB	CD	CE	CL	CM	CR	E	O	X	ZT	V
125	45	43 ^{+0.3} _{+0.1}	25 ^{H10}	83	70	48	24	M30×1.5	117	150	253	20
150	50	40 ^{+0.3} _{+0.1}	30 ^{H10}	90	78	53	27.5	M30×1.5	134	175	278	26
200	63	50 ^{+0.3} _{+0.1}	40 ^{H10}	100	85	55	40	M45×1.5	182	226	306	12