



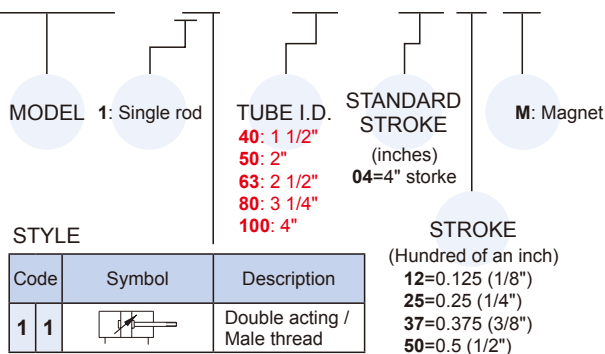
Table for standard stroke

Tube I.D	Stroke (inch)
40: 1 1/2"	1, 2, 3, 4, 5, 6, 8, 10, 12, 14, 16, 18, 20
50: 2"	1, 2, 3, 4, 5, 6, 8, 10, 12, 14, 16, 18, 20, 24
63: 2 1/2"	
80: 3 1/4"	1, 2, 3, 4, 5, 6, 8, 10, 12, 14, 16, 18, 20, 24
100: 4"	

* Please contact us if the stroke is out of specification.

Order example

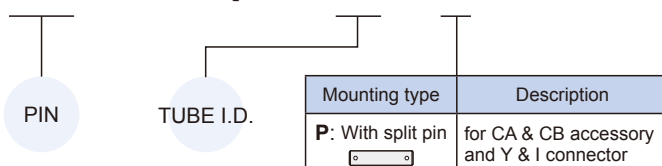
MCQN – 11 – 40 – 0425M



* Order example for special specification, refer to page 0-7.

Order example of pin

PIN – MCQN – 40 – P



Features

■ Non lubrication

Special housing and bushing enables self lubrication of piston rod.

■ High quality long service life

Hard anodised aluminium cylinder tubes offer a high resistance to corrosion and low internal friction.

■ Full range of NFPA interchangeable mounting configurations

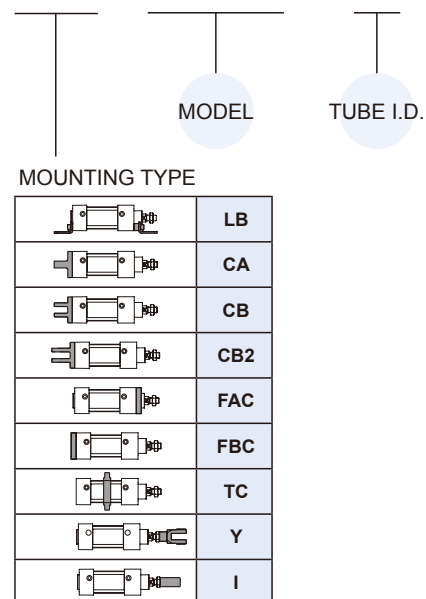
Mounting dimensions are in accordance with ANSI (NFPA) T3.6.7 R2-1996, fluid power systems and products-square head industrial cylinders-mounting dimensions.

Specification

Model	MCQN				
Tube I.D. (inch)	1 1/2"	2"	2 1/2"	3 1/4"	4"
Port size	NPT3/8			NPT1/2	
Medium	Air				
Operating pressure range	0.05~1 MPa				
Proof pressure	1.5 MPa				
Ambient temperature	-5~+60°C (No freezing)				
Available speed range	50~500 mm/sec				
Sensor switch	RCA (Please refer to page 8-8)				
Sensor switch holder	HV1	HV2	HV2	HV3	HV3

Mounting accessories

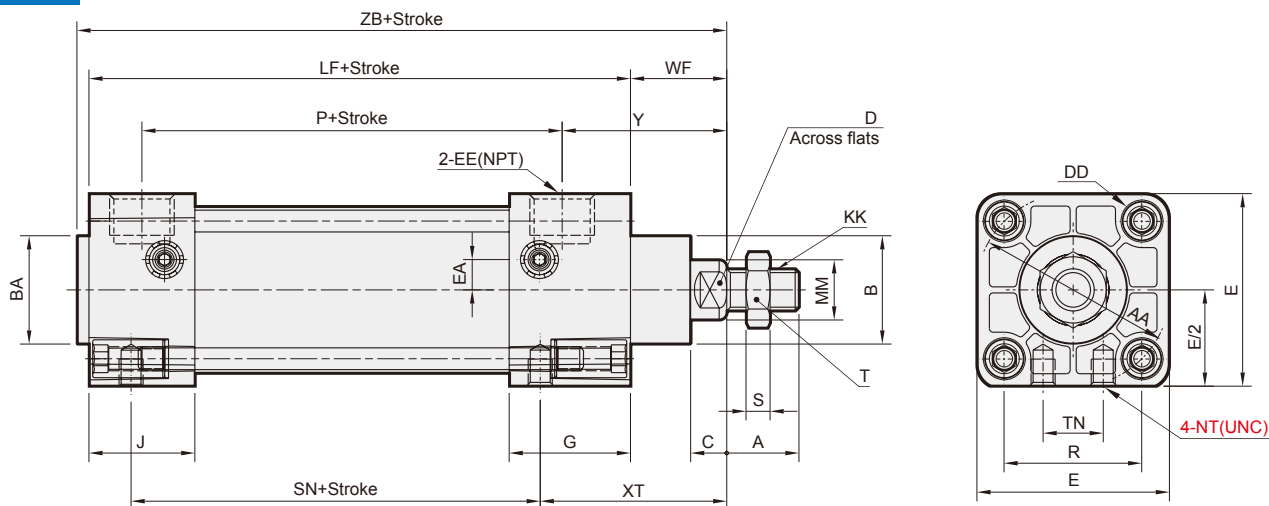
FAC – MCQN – 40



STANDARD CYLINDER

mindman

11

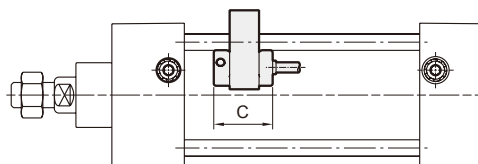
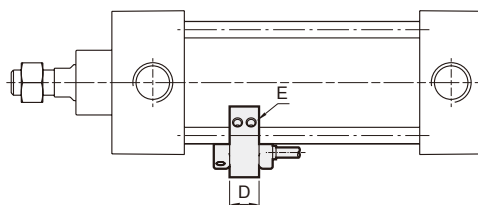
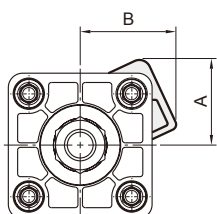
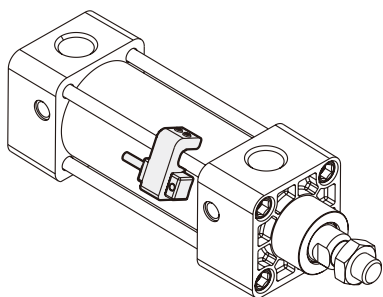


Unit: inch

Code Tube I.D.	A	AA	B	BA	C	D	DD	E	EA	EE	G	J	KK	LF	MM	NT	P	R	S	SN
40	0.75	2.02	1.125	1.125	0.375	0.56	1/4-28	2	0.32	3/8	1.26	1.10	7/16-20	3.625	0.625	1/4-20×0.28 dp	2.36	1.43	0.26	2.25
50	0.75	2.60	1.125	1.125	0.375	0.56	5/16-24	2.5	0.43	3/8	1.26	1.06	7/16-20	3.625	0.625	5/16-18×0.44 dp	2.40	1.84	0.26	2.25
63	0.75	3.10	1.125	1.125	0.375	0.56	5/16-24	3	0.47	3/8	1.30	1.06	7/16-20	3.75	0.625	3/8-16×0.59 dp	2.48	2.19	0.26	2.38
80	1.125	3.90	1.5	1.5	0.5	0.88	3/8-24	3.75	—	1/2	1.57	1.18	3/4-16	4.25	1	1/2-13×0.63 dp	2.72	2.76	0.42	2.63
100	1.125	4.70	1.5	1.5	0.5	0.88	3/8-24	4.5	—	1/2	1.57	1.18	3/4-16	4.25	1	1/2-13×0.63 dp	2.72	3.32	0.42	2.63

Code Tube I.D.	T	TN	WF	XT	Y	ZB
40	0.69	0.63	1	1.94	1.71	4.75
50	0.69	0.88	1	1.94	1.71	4.75
63	0.69	1.25	1	1.94	1.75	4.88
80	1.12	1.50	1.38	2.44	2.34	5.83
100	1.12	2.06	1.38	2.44	2.34	5.83

Installation of sensor switch



Unit: inch

Code Tube I.D.	Sensor switch	Hold	A	B	C	D	E
40	RCA	HV1	1.10	1.47	1.02	0.51	M4×10L
50	RCA	HV2	1.49	1.68	1.02	0.51	M4×10L
63	RCA	HV2	1.66	1.86	1.02	0.51	M4×10L
80	RCA	HV3	1.87	2.13	1.02	0.51	M4×10L
100	RCA	HV3	2.15	2.42	1.02	0.51	M4×10L

STANDARD CYLINDER

Cylinder weight

Unit: kg

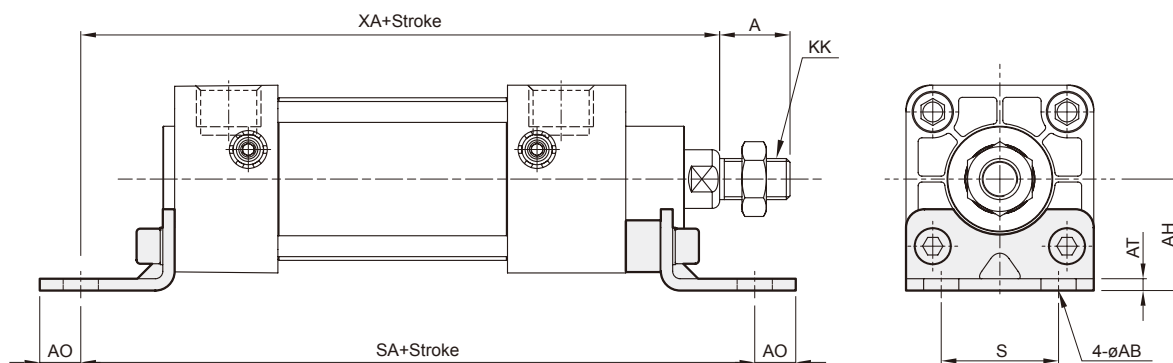
Model	Basic weight MCQN-11	Basic weight (magnet) MCQN-11	Stroke 1 inch MCQN-11
Tube I.D.			
40	0.664	0.676	0.078
50	0.965	0.981	0.096
63	1.314	1.334	0.108
80	2.482	2.510	0.200
100	3.266	3.300	0.220

Accessories weight

Unit: kg

Model	LB	CA	CB	CB2	FAC/FBC	TC	Y	I	PIN
Tube I.D.									
40	0.160	0.285	0.229	0.287	0.246	0.554	0.205	0.150	0.065
50	0.240	0.394	0.377	0.424	0.403	0.644	0.205	0.150	0.065
63	0.300	0.531	0.521	0.563	0.576	0.840	0.205	0.150	0.065
80	0.633	1.511	1.302	1.482	1.408	1.098	0.662	0.522	0.175
100	0.955	2.047	1.821	2.033	2.015	1.450	0.662	0.522	0.175

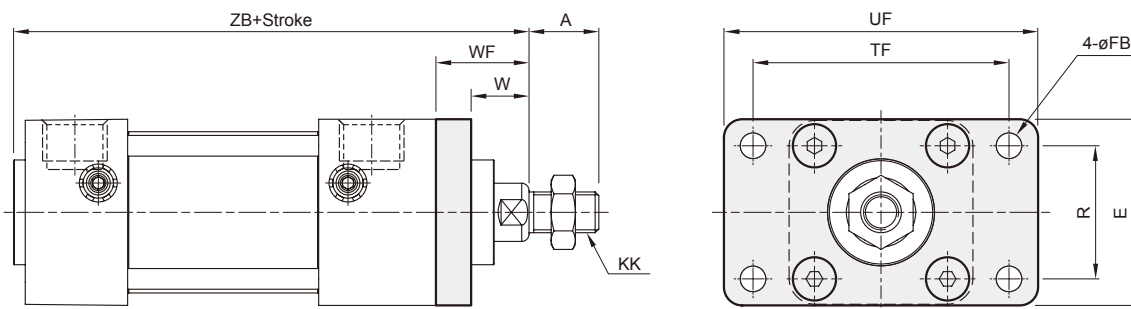
LB



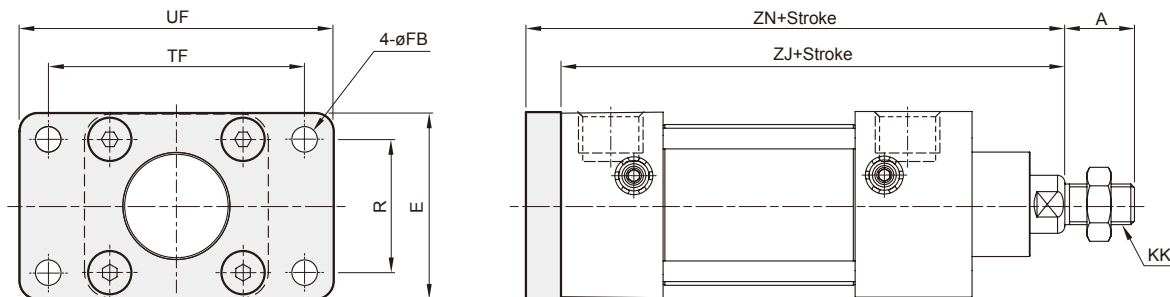
Unit: inch

Code Tube I.D.	A	AB	AH	AT	AO	KK	S	SA	XA
40	0.75	0.38	1.19	0.13	0.44	7/16-20	1.25	6	5.63
50	0.75	0.38	1.44	0.13	0.56	7/16-20	1.75	6	5.63
63	0.75	0.38	1.63	0.13	0.56	7/16-20	2.25	6.13	5.75
80	1.125	0.5	1.94	0.17	0.75	3/4-16	2.75	7.38	6.88
100	1.125	0.5	2.25	0.23	0.75	3/4-16	3.5	7.38	6.88

FAC



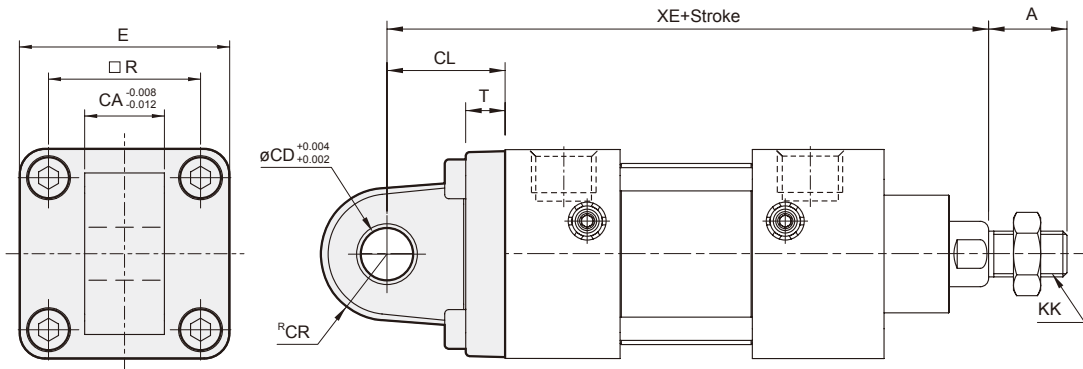
FBC



Unit: inch

Code Tube I.D.	A	E	FB	KK	R	TF	UF	W	WF	ZB	ZJ	ZN
40	0.75	2	0.25	7/16-20	1.43	2.75	3.38	0.63	1	4.75	4.63	5
50	0.75	2.5	0.31	7/16-20	1.84	3.38	4.13	0.63	1	4.75	4.63	5
63	0.75	3	0.31	7/16-20	2.19	3.88	4.63	0.63	1	4.88	4.75	5.13
80	1.125	3.75	0.38	3/4-16	2.76	4.68	5.50	0.75	1.38	5.83	5.63	6.25
100	1.125	4.5	0.38	3/4-16	3.32	5.44	6.25	0.75	1.38	5.83	5.63	6.25

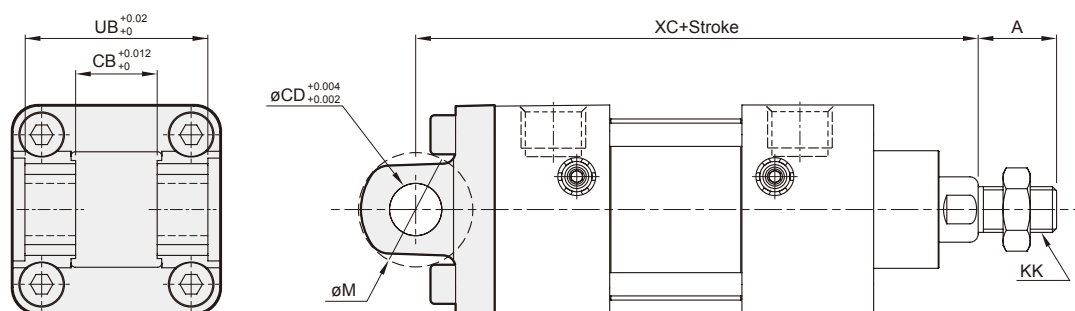
CA



Unit: inch

Code Tube I.D.	A	CA	CD	CL	CR	E	KK	R	T	XE
40	0.75	0.75	0.5	1.125	0.63	2	7/16-20	1.43	0.375	5.75
50	0.75	0.75	0.5	1.125	0.63	2.5	7/16-20	1.84	0.375	5.75
63	0.75	0.75	0.5	1.125	0.63	3	7/16-20	2.19	0.375	5.88
80	1.125	1.25	0.75	1.875	0.87	3.75	3/4-16	2.76	0.625	7.5
100	1.125	1.25	0.75	1.875	0.87	4.5	3/4-16	3.32	0.625	7.5

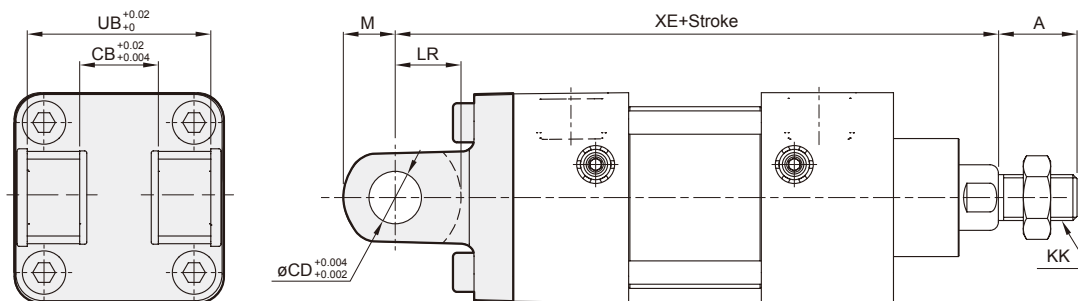
CB



Unit: inch

Code Tube I.D.	A	CB	CD	KK	M	UB	XC
40	0.75	0.78	0.5	7/16-20	1.24	1.75	5.38
50	0.75	0.78	0.5	7/16-20	1.24	1.75	5.38
63	0.75	0.78	0.5	7/16-20	1.24	1.75	5.5
80	1.125	1.28	0.75	3/4-16	1.88	2.5	6.88
100	1.125	1.28	0.75	3/4-16	1.88	2.5	6.88

CB2

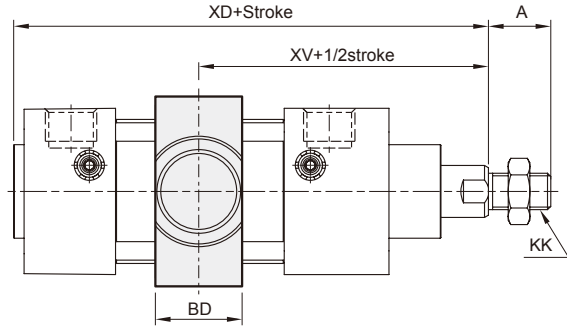
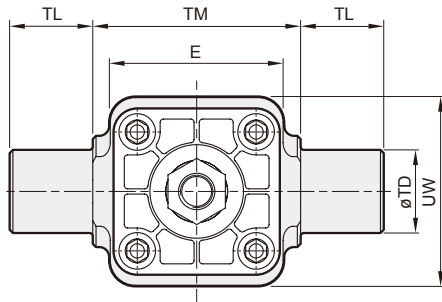


Unit: inch

Code Tube I.D.	A	CB	CD	KK	LR	M	UB	XE
40	0.75	0.75	0.5	7/16-20	0.63	0.5	1.75	5.75
50	0.75	0.75	0.5	7/16-20	0.63	0.5	1.75	5.75
63	0.75	0.75	0.5	7/16-20	0.63	0.5	1.75	5.88
80	1.125	1.25	0.75	3/4-16	1	0.75	2.5	7.5
100	1.125	1.25	0.75	3/4-16	1	0.75	2.5	7.5

STANDARD CYLINDER

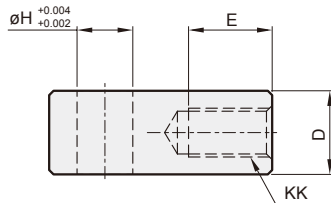
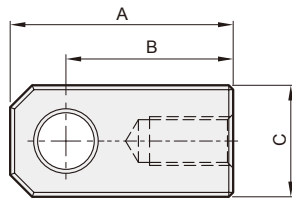
TC



Unit: inch

Code Tube I.D.	A	BD	E	KK	TD	TM	TL	UW	XD	XV
40	0.75	1.04	2.11	7/16-20	1	2.5	1	2.28	4.94	3.2
50	0.75	1.04	2.6	7/16-20	1	3	1	2.60	5.03	3.32
63	0.75	1.1	3.09	7/16-20	1	3.5	1	3.23	5.07	3.33
80	1.125	1.18	3.7	3/4-16	1	4.5	1	4.17	6.16	4.19
100	1.125	1.22	4.49	3/4-16	1	5.25	1	4.96	6.18	4.19

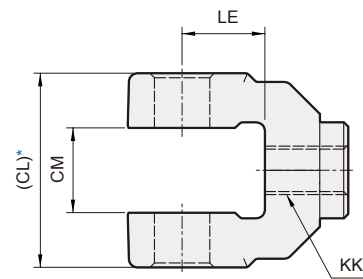
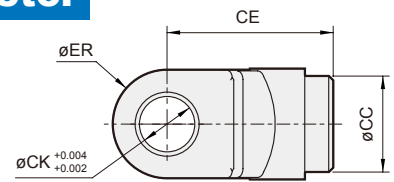
I connector



Unit: inch

Code Tube I.D.	A	B	C	D	E	H	KK
40~63	2	1.5	1	0.75	0.75	0.5	7/16-20
80~100	2.81	2.06	1.5	1.25	1.13	0.75	3/4-16

Y connector



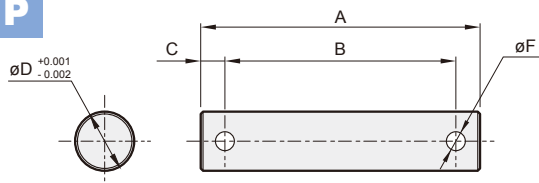
* Please do not take the sand casting plate as the mounting plate, because we do not machine it. If you have this special demand, please contact our sales representative.

Unit: inch

Code Tube I.D.	CC	CE	CL	CM	CK	ER	KK	LE
40~63	0.87	1.5	1.75	0.765	0.5	1	7/16-20	0.75
80~100	1.34	2.38	2.5	1.265	0.75	1.5	3/4-16	1.25

PIN for CB & CB2 accessory and Y & I connector.

P



Unit: inch

Code Tube I.D.	A	B	C	D	F
40~63	2.36	1.95	0.2	0.5	0.16
80~100	3.13	2.74	0.19	0.75	0.2