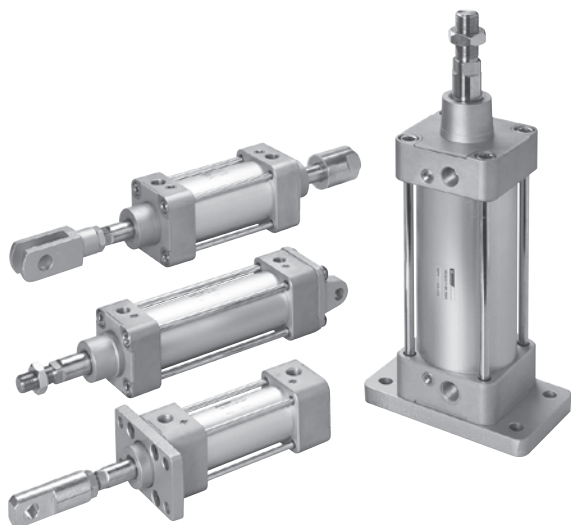


# MCQV / MCQV2 series

ISO 15552 **STANDARD CYLINDER**



## Features

### ■ Non lubrication

Special housing and bushing enables self lubrication of piston rod.

### ■ High quality long service life

Hard anodised aluminium cylinder tubes offer a high resistance to corrosion and low internal friction.

### ■ ISO 15552 standard specification

Conforms to ISO 15552 specification enabling worldwide interchangeability.

### ■ Cylinder mountings

Available with comprehensive internationally recognised range of fixed and flexible mountings.

## Specification

Model	MCQV2			MCQV		
Tube I.D. (mm)	32,40	50,63	80,100	125	160	200
Medium	Air					
Operating pressure range	0.05~1 MPa					
Proof pressure	1.5 MPa					
Ambient temperature	-5~+60°C (No freezing)					
Available speed range	50~500 mm/sec					
Sensor switch	RCA (Please refer to page 8-8)					
Sensor switch holder	HV1	HV2	HV3	HV4	PM16	HA5

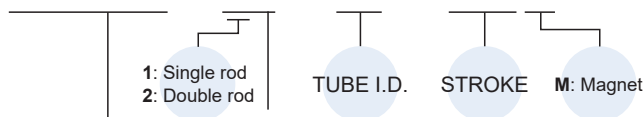
## Table for standard stroke

Tube I.D.	Stroke (mm)	Max. stroke (mm)
ø32,40	50,75,100,125,150,175,200, 250,300,350,400,450,500	1800
ø50,63		2000
ø80,100		2500
ø125		2000
ø160		1800
ø200		1500

\* Intermediate stroke are available, please contact us.

## Order example

MCQV2 — 11 — 40 — 100M



MODEL	Tube I.D.	Code	Symbol	Description
MCQV2	ø32~ø100	1 1		Double acting / Male thread
MCQV	ø125~ø200	2 1		Double rod / Male thread
		2 7		Double rod / Adjustable male thread Please mark "adjustable stroke" at order list

\* Order example for special specification, refer to page 0-7.

\* Rc or NPT thread are also available, please contact us.

**Pin** \* MCQV2 / MCQI2 are common accessories.

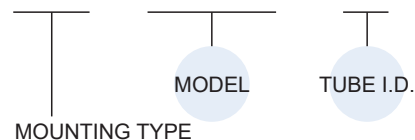
PIN — MCQV — 40 — Y — P

PIN	TUBE I.D.	Mounting type	Description
		CB-P	for CA & CB accessory
		Y-P	for Y & I connector
		Y-S	for Y connector & ø32~ø100

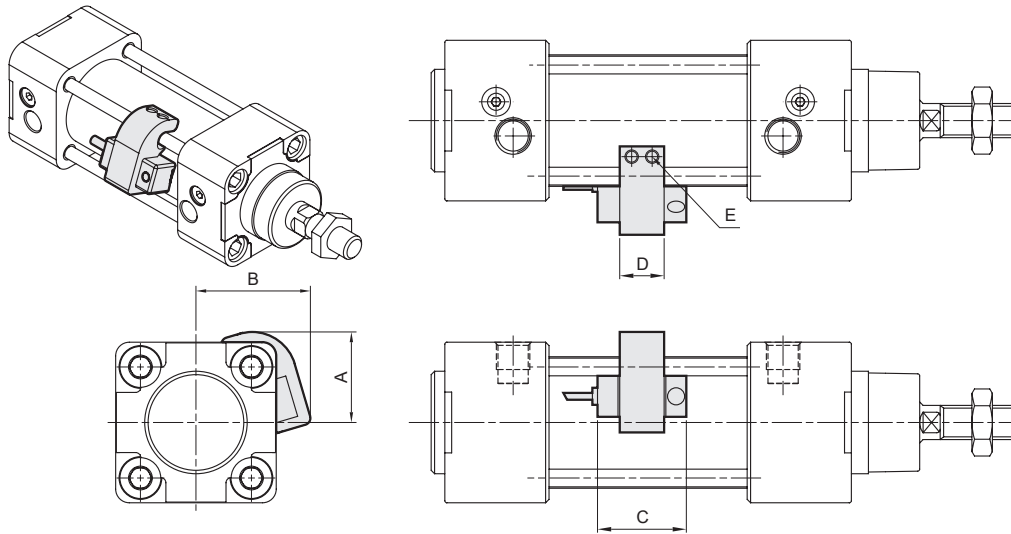
\* P: With split pin, S: Floating pin

## Mounting accessories

FAC — MCQV — 40



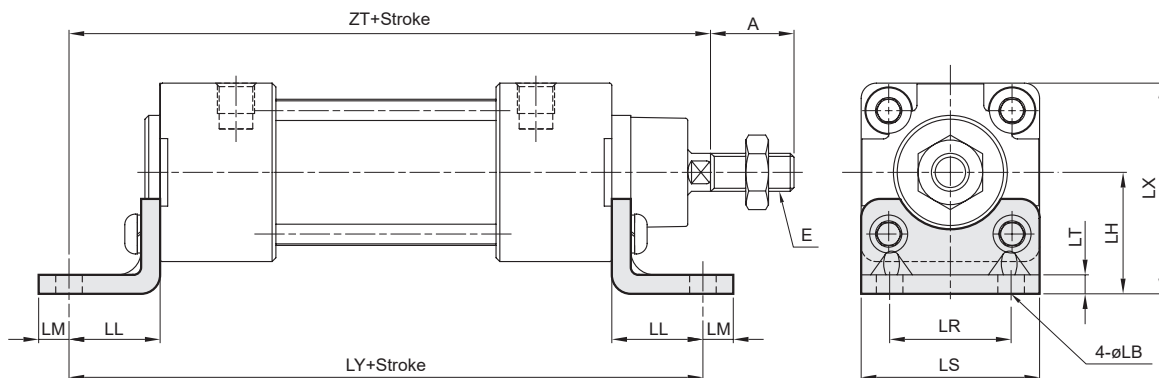
MOUNTING TYPE	Description
	LB
	CA
	CB
	CDB * for ø32~ø100 CB+PIN (extra purchase)
	FAC
	FBC
	TA
	TB
	TC
	SDS * for stroke over 1000mm
	Y
	I
	YS * for ø32~ø100 (Y+Floating pin)



Code Tube I.D.	Sensor switch	Hold	A	B	C	D	E
MCQV2-32	RCA	HV1	26.5	33.5	26	13	M4×10L
MCQV2-40	RCA	HV1	29.5	36.5	26	13	M4×10L
MCQV2-50	RCA	HV2	37.5	41.5	26	13	M4×10L
MCQV2-63	RCA	HV2	42.5	46.5	26	13	M4×10L
MCQV2-80	RCA	HV3	49.5	54.5	26	13	M5×16L
MCQV2-100	RCA	HV3	57.5	62.5	26	13	M5×16L
MCQV-125	RCA	HV4	—	—	26	13	M4×10L
MCQV-160	RCA	PM16	—	—	26	12	M4×10L
MCQV-200	RCA	HA5	—	—	26	15	M4×16L

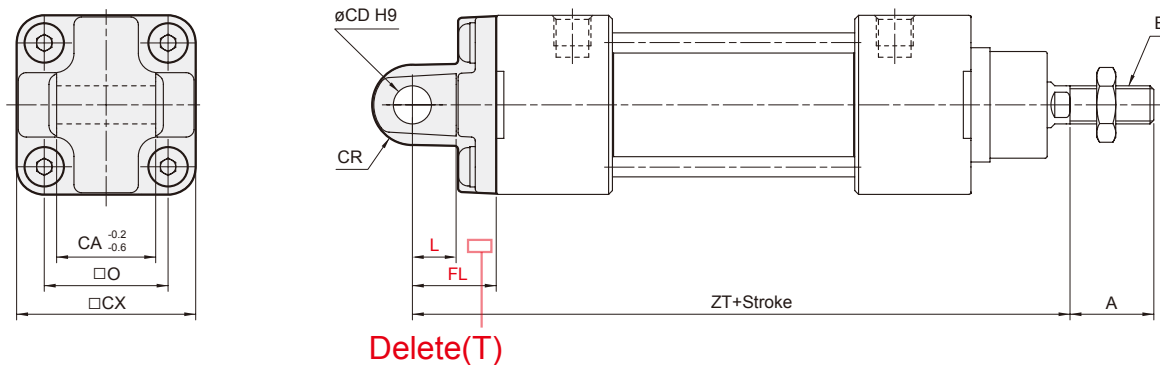
### ■ Mounting accessories

#### LB



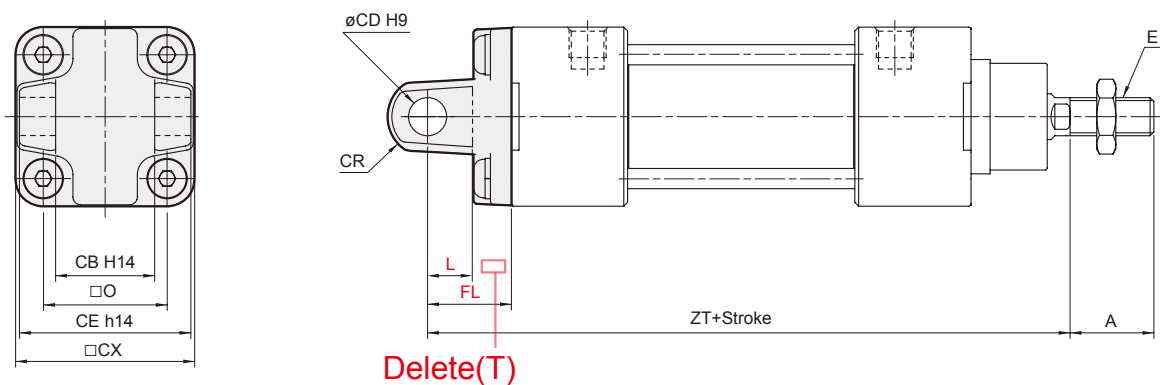
Code Tube I.D.	A	E	LB	LH	LL	LM	LR	LS	LT	LX	LY	ZT
32	22	M10×1.25	7	32	24	8	32	47	5	55.5	142	144
40	24	M12×1.25	9	36	28	10	36	53	5	63.2	161	163
50	32	M16×1.5	9	45	32	10	45	65	5	77.5	170	175
63	32	M16×1.5	9	50	32	10	50	75	5	89.0	185	190
80	40	M20×1.5	12	63	41	13	63	95	6	110.5	210	215
100	40	M20×1.5	14	71	41	13	75	115	6	128.5	220	230

### CA



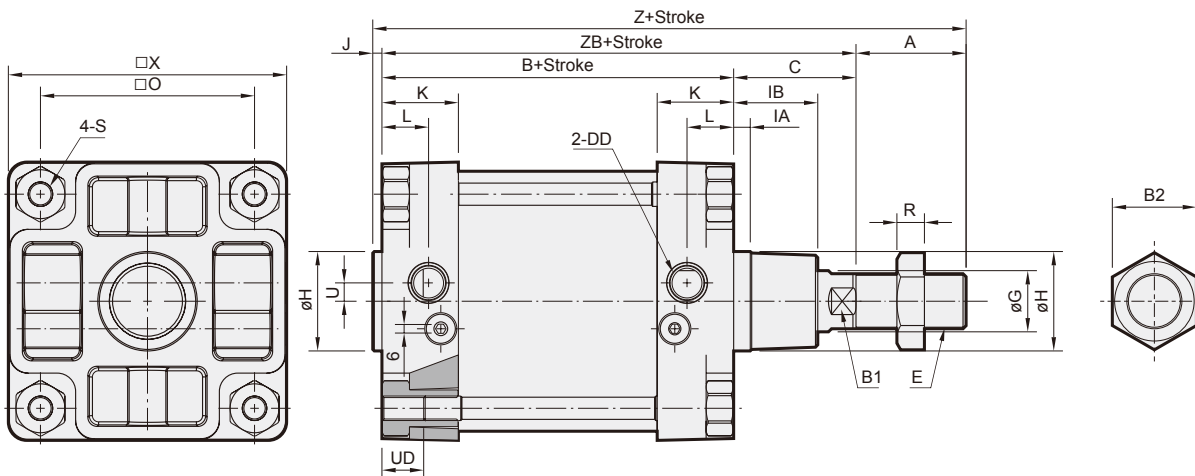
Code Tube I.D.	A	CA	CD	CR	CX	E	FL	L	O	ZT
32	22	26	10	R10.5	46.5	M10×1.25	22	12	32.5	142
40	24	28	12	R12	54	M12×1.25	25	15	38	160
50	32	32	12	R13	64	M16×1.5	27	15	46.5	170
63	32	40	16	R17	75	M16×1.5	32	20	56.5	190
80	40	50	16	R17	93	M20×1.5	36	20	72	210
100	40	60	20	R21	114	M20×1.5	41	25	89	230

### CB

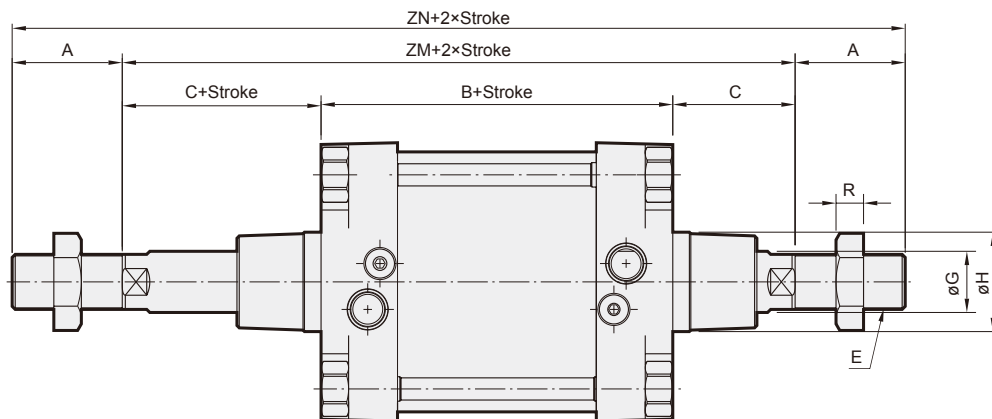


Code Tube I.D.	A	CB	CD	CE	CR	CX	E	FL	L	O	ZT
32	22	26	10	45	R10.5	46.5	M10×1.25	22	12	32.5	142
40	24	28	12	52	R12	54	M12×1.25	25	15	38	160
50	32	32	12	60	R14	64	M16×1.5	27	15	46.5	170
63	32	40	16	70	R17	75	M16×1.5	32	20	56.5	190
80	40	50	16	90	R17	93	M20×1.5	36	20	72	210
100	40	60	20	110	R21	114	M20×1.5	41	25	89	230

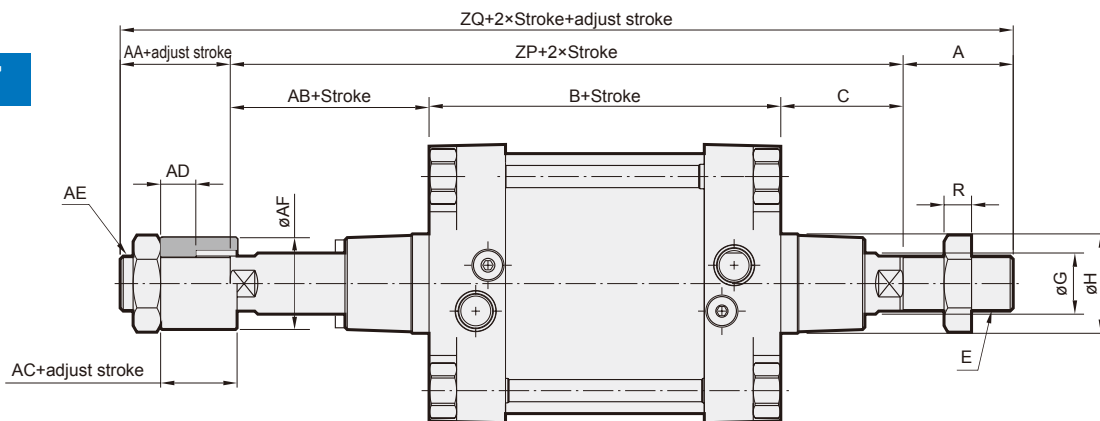
### 11



### 21



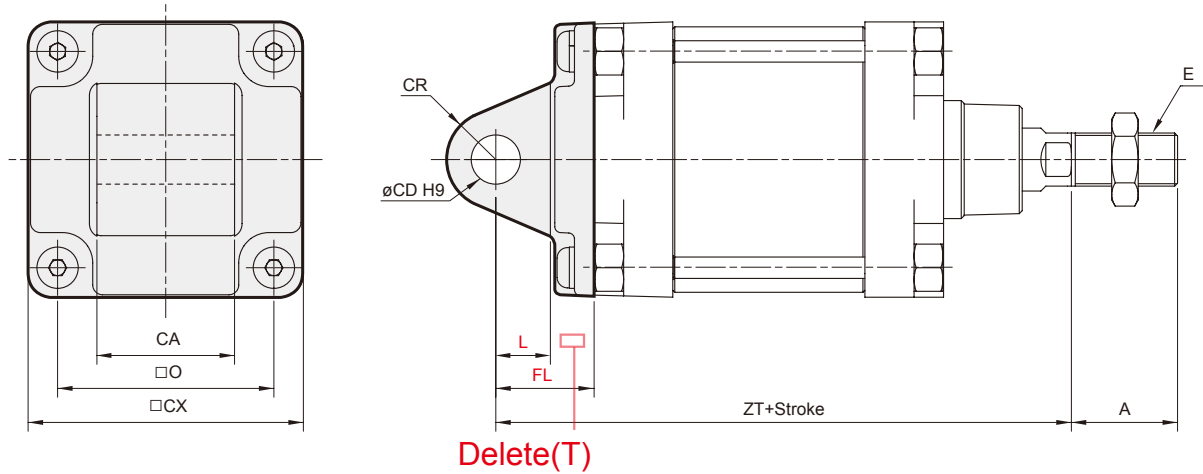
### 27



Code Tube I.D.	A	AA	AB	AC	AD	AE	AF	B	B1	B2	C	DD	E	G	H	IA	IB	J	K	L	O	R	S
125	54	38	55	30	18	M30×1.5	60	160	27	41	65	G1/2	M27×2	32	60e11	10	40	6	40	25	110	13.5	M12×1.75
160	72	38	71	30	18	M30×1.5	60	180	36	55	80	G3/4	M36×2	40	65e11	10	55	6	50	30.5	140	18	M16×2.0
200	72	40	70	30	18	M36×2.0	60	180	36	55	95	G3/4	M36×2	40	75e11	15	55	6	56	36.5	175	18	M16×2.0

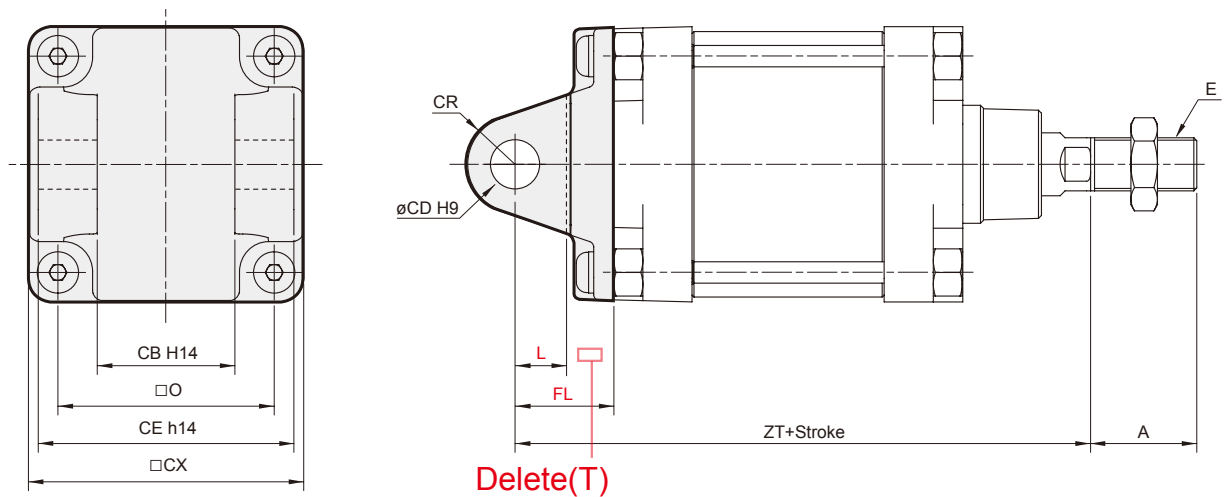
Code Tube I.D.	U	UD	X	Z	ZB	ZM	ZN	ZP	ZQ
125	11	22	140	285	225	290	398	280	372
160	12	27	182	338	260	340	484	331	441
200	12	27	220	353	275	370	514	369.5	457

**CA**



Code Tube I.D.	A	CA	CD	CR	CX	E	FL	L	O	ZT
125	54	69.5 <sup>0</sup> <sub>-0.7</sub>	25	R25	139	M27×2.0	50	30	110	275
160	72	89.5 <sup>0</sup> <sub>-0.7</sub>	30	R30	178	M36×2.0	55	35	140	315
200	72	90 <sup>-0.5</sup> <sub>-1.2</sub>	30	R30	218	M36×2.0	60	35	175	335

**CB**



Code Tube I.D.	A	CB	CD	CE	CR	CX	E	FL	L	O	ZT
125	54	70	25	130	R25	139	M27×2.0	50	30	110	275
160	72	90	30	170	R30	178	M36×2.0	55	35	140	315
200	72	90	30	170	R30	218	M36×2.0	60	35	175	335