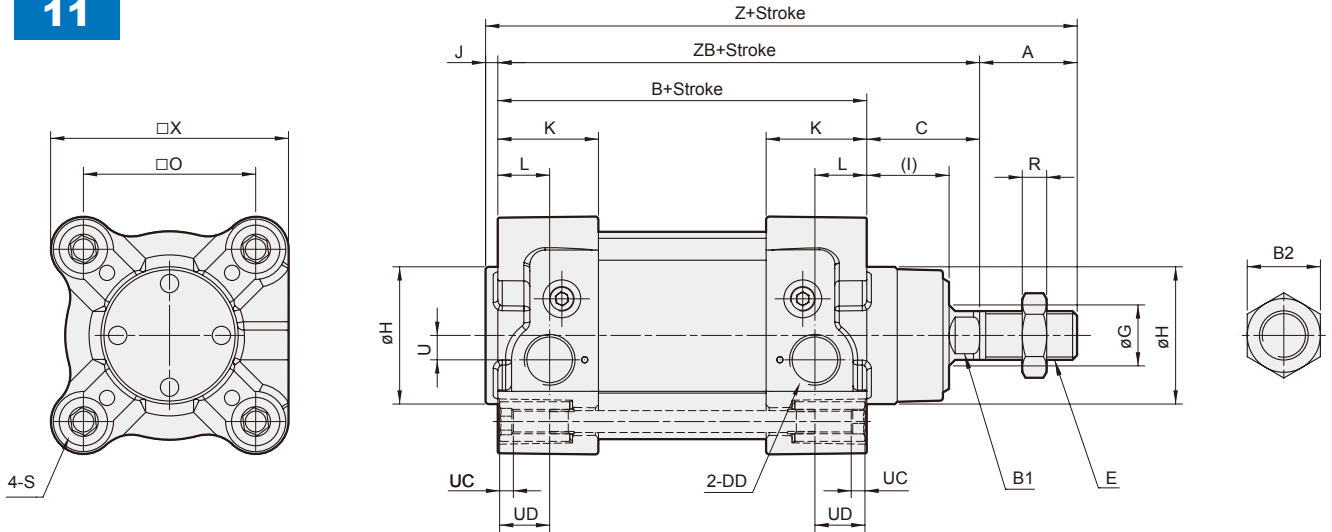
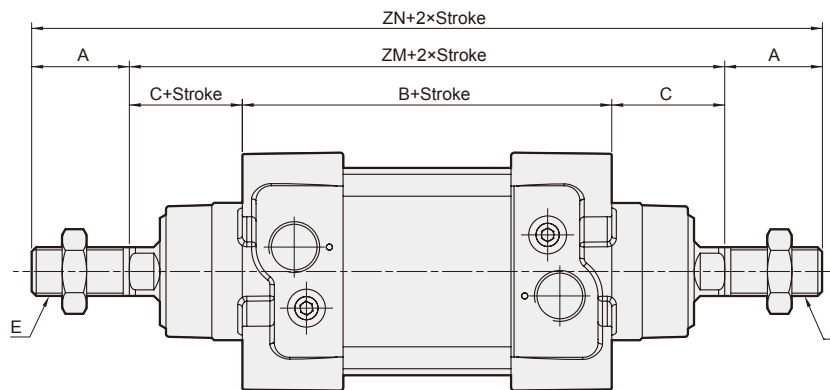


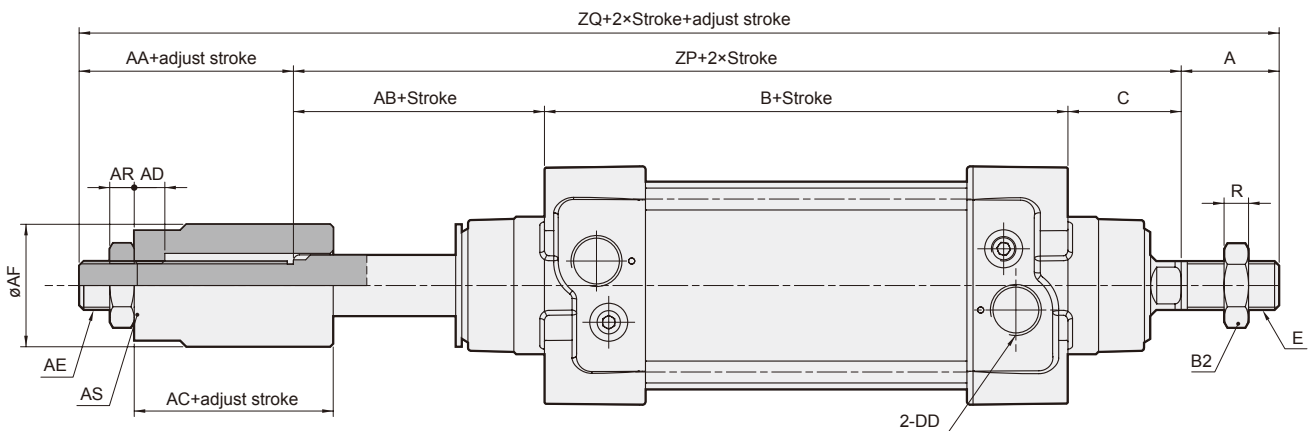
11



21



27



Code Tube I.D.	A	AA	AB	AC	AD	AE	AF	AR	AS	B	B1	B2	C	DD	E	G	H	I	J	K	L	O	R
63	32	20	32	15	10	M16×1.5	40	8	24	121	16	24	37	G3/8	M16×1.5	20	45	26	4	33	17	56.5	8

Code Tube I.D.	S	U	UC	UD	X	Z	ZB	ZM	ZN	ZP	ZQ
63	M8×1.25	8	4.5	16	78	194	158	195	259	190	242