

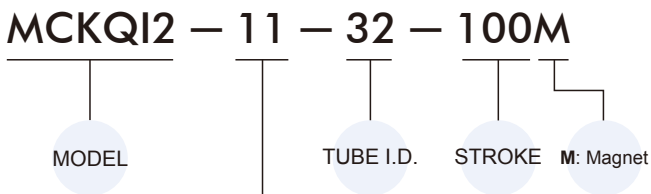


### Table for standard stroke

Tube I.D.	Stroke (mm)
ø32,40	50,75,100,125,150,175,200,250,300, 350,400,450,500,550,600,650,700

- Stroke out of specification is also available.
- Please consult us if stroke out of specification.

### Order example



#### STYLE

Code	Symbol	Description
1 1		Double acting / Male thread

- \* Order example for special specification, refer to page 0-7.
- \* Order example for Rc or NPT thread please consult us.

### Cylinder weight

Unit: kg

Model	Basic weight	Basic weight (magnet)	Stroke 25 mm
Tube I.D.			
ø32	0.550	0.556	0.067
ø40	0.823	0.829	0.086

### Features

#### ■ Hexagonal rod design & Non lubrication

Cylinder with hexagonal rod design for non-rotating feature. Special housing and bushing enables self lubrication of piston rod.

#### ■ High quality long service life

Hard anodised aluminium cylinder tubes offer high corrosion resistance and low internal friction.

#### ■ ISO 15552 standard specification

Conforms to ISO 15552 specification, make worldwide interchangeability.

#### ■ Easy to insert reed switch

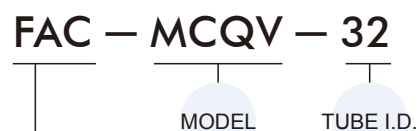
With four grooves on the tube, proximity and reed sensors can be easily inserted into any position.

### Specification

Model	MCKQI2	
Tube I.D. (mm)	32	40
Medium	Air	
Operating perssure range	0.05~1 MPa	
Proof pressure	1.5 MPa	
Ambient temperature	-5~+60°C (No freezing)	
Available speed range	50~500 mm/sec	
Rod non-rotating accuracy	±0.5°	
Allowable rotational torque	2.5 kgf-cm	4.5 kgf-cm
Sensor switch	RCI (Please refer to page 8-14)	

### Mounting accessories

\* Use the same accessories with MCQV.



#### MOUNTING TYPE

	LB
	CA
	CB
	CDB (+CB+PIN)*
	FAC
	FBC
	TA
	TB
	TC
	Y
	I
	YS (Y+Floating+PIN)

\* CB+PIN have to extra purchase.

Model is MCQI2

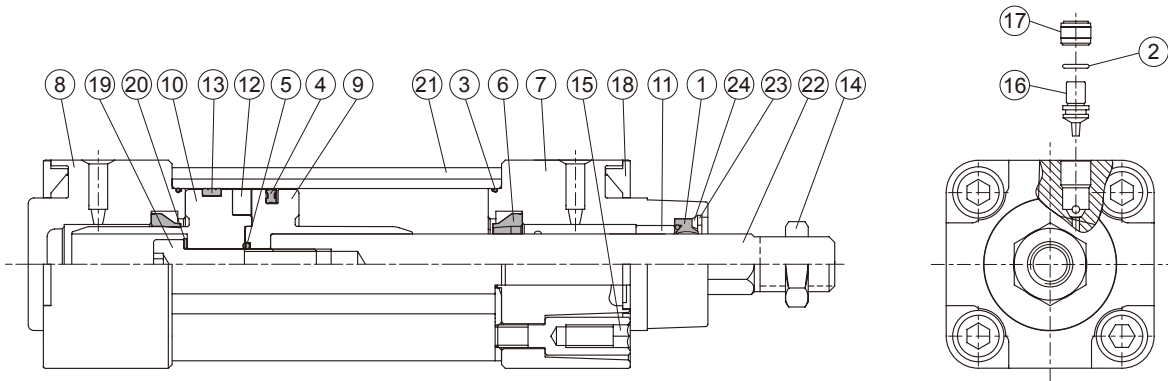
Refer to MCQV2 dimension

# MCKQI2 Inside structure & Parts list / Dimensions



ISO 15552 **STANDARD PROFILE CYLINDER WITH NON-ROTATING ROD**

mindman



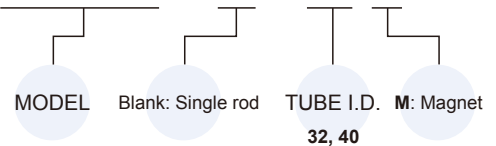
## Material

No.	Part name	Material	Q'ty	Component parts (inclusion)	Repair kits (inclusion)
1	Rod packing	NBR	1	●	●
2	O-ring	NBR	2	●	
3	O-ring	NBR	2	●	●
4	Piston packing	NBR	1	●	●
5	O-ring	NBR	1	●	●
6	Cushion packing	NBR	2	●	●
7	Rod cover	Aluminum alloy	1	●	
8	Head cover	Aluminum alloy	1	●	
9	Piston-R	Aluminum alloy	1	●	
10	Piston-H	Aluminum alloy	1	●	
11	Bush	Bearing alloy	1	●	
12	Magnet ring	Magnet material	1	●	
13	Wear ring	Resin	1	●	
14	Nut	Carbon steel	1	●	
15	Screw	Carbon steel	8	●	
16	Needle valve	Copper alloy	2	●	
17	Insert nut	Copper alloy	2	●	
18	Cover plate	Plastic	2	●	
19	Bolt	Carbon steel	1	●	
20	Washer	Carbon steel	1	●	
21	Cylinder tube	Aluminum alloy	1		
22	Piston rod *1	Stainless steel	1		
23	Snap ring	Spring steel	1	●	
24	Washer	Carbon steel	1	●	

\*1. When customized material is bearing steel, only two-side across flat (wrench flat) is available.

## Order example of component parts

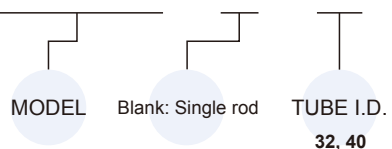
CP – MCKQI2 – □ – 40 M



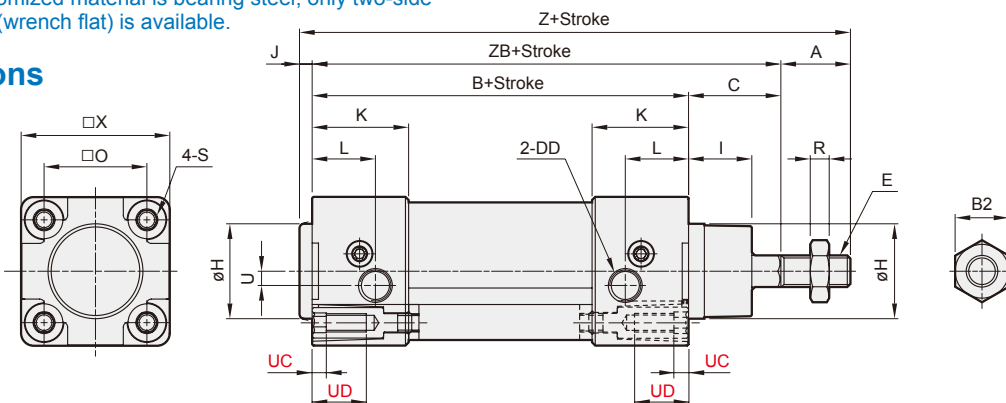
\* Order example for Rc or NPT thread please consult us.

## Order example of repair kits

PS – MCKQI2 – □ – 40



## Dimensions



Code Tube I.D.	A	B	B2	C	DD	E	H	I	J	K	L	O	R	S	U	UC	UD	X	Z	ZB
32	22	94	17	26	G1/8	M10×1.25	30	20	4	30.5	20	32.5	5	M6×1.0	4.5	4.5	17	47	146	120
40	24	105	19	30	G1/4	M12×1.25	35	20.5	4	34	14.5	38	6	M6×1.0	5.3	4.5	17	55	163	135