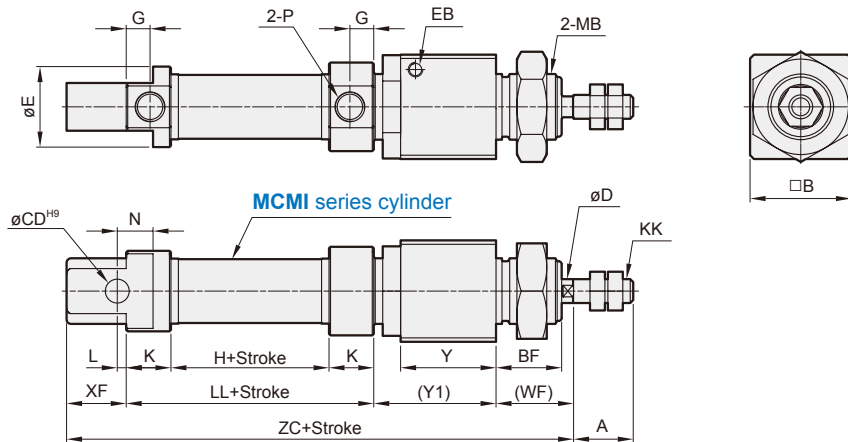


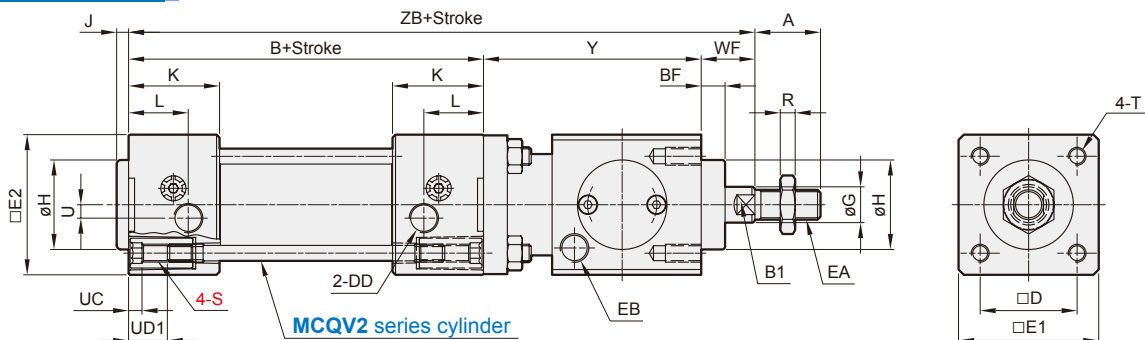
ROD LOCKING CYLINDER

MCBBI

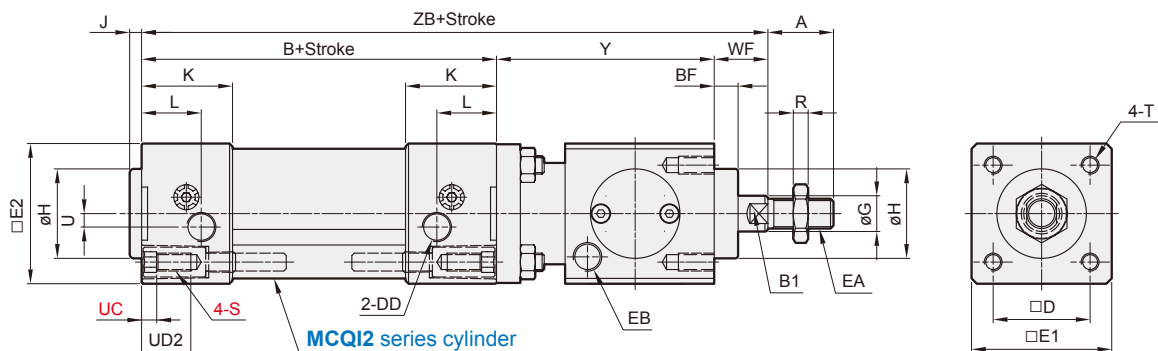


Code Tube I.D.	A	B	BF	CD	D	E	EB	G	H	K	KK	L	LL	MB	N	P	WF	XF	Y	Y1	ZC
20	20	34	22	8	8	27	M5	8	38	15	M8×1.25	3	68	M22×1.5	12	G1/8	26	20	32	43	157
25	22	34	22	8	10	27	M5	7.5	37	15	M10×1.25	9	67	M22×1.5	12	G1/8	28	22	32	45	162

MCBQV2



MCBQI2

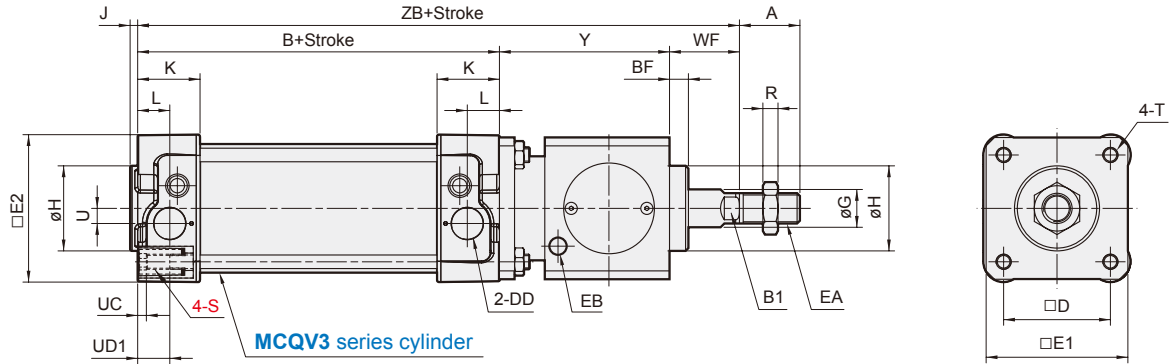


Code Tube I.D.	A	B	BF	B1	D	DD	E1	E2	EA	EB	G	H	J	K	L	R	S	T	U	UC	UD1	UD2	WF	Y	ZB
32	22	94	7.5	10	32.5	G1/8	47	47	M10×1.25	G1/8	12	30	4	30.5	20	5	M6×1.0	M6×12L	4.5	4.5	12	M6×1.0×15L	26	60	180
40	24	105	10	13	38	G1/4	54	53	M12×1.25	G1/8	16	34.9	4	34	14.5	6	M6×1.0	M6×12L	5.3	4.5	12	M6×1.0×15L	30	70	205
50	32	106	10	16	46.5	G1/4	65	65	M16×1.5	G1/8	20	40	4	31	16	8	M8×1.25	M8×14L	8.5	4.5	16	M8×1.25×18L	37	90	233
63	32	121	10	16	56.5	G3/8	75	78	M16×1.5	G1/8	20	45	4	33	16	8	M8×1.25	M8×14L	8	4.5	16	M8×1.25×18L	37	90	248
80	40	128	10	21	72	G3/8	95	95	M20×1.5	G1/4	25	45	4	35.5	20.5	10	M10×1.5	M10×16L	9	4.5*1	18	M10×1.5×19L	46	110	284
100	40	138	10	21	89	G1/2	114	115	M20×1.5	G1/4	25	55	4	37	19	10	M10×1.5	M10×16L	13	4.5*1	18	M10×1.5×19L	51	110	299

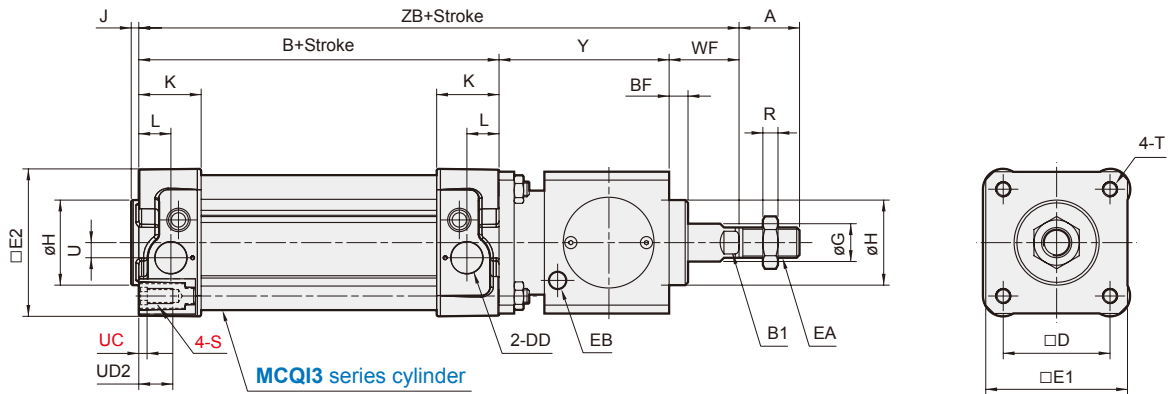
* MCBQI2 series UC=5.5

ROD LOCKING CYLINDER

MCBQV3

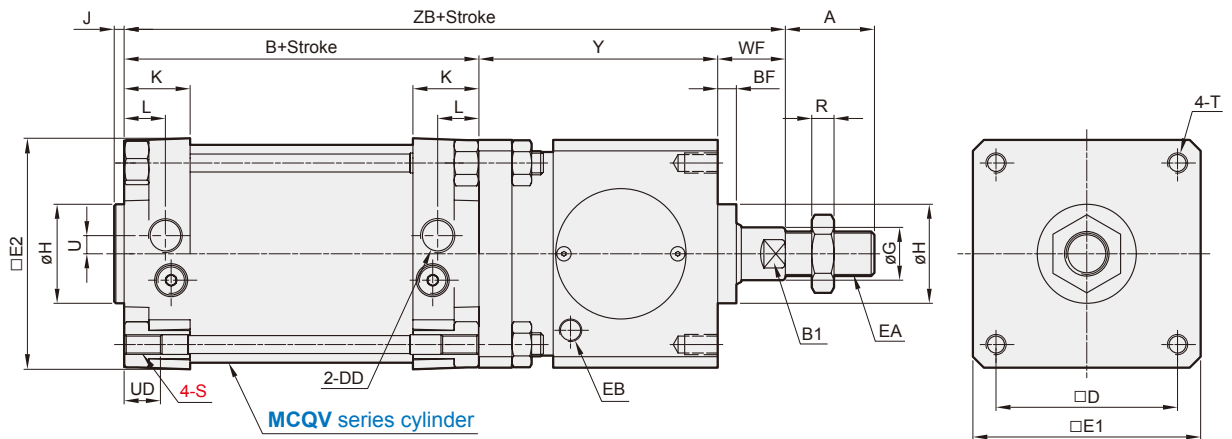


MCBQI3



Code Tube I.D.	A	B	BF	B1	D	DD	E1	E2	EA	EB	G	H	J	K	L	R	S	T	U	UC	UD1	UD2	WF	Y	ZB
63	32	121	10	16	56.5	G3/8	75	78	M16×1.5	G1/8	20	45	4	33	17	8	M8×1.25	M8×14L	8	4.5	17	M8×1.25×18L	37	90	248

MCBQV



Code Tube I.D.	A	B	BF	B1	D	DD	E1	E2	EA	EB	G	H	J	K	L	R	S	T	U	UD	WF	Y	ZB
125	54	160	16	27	110	G1/2	138	140	M27×2.0	G1/4	32	60	6	40	25	13.5	M12×1.75	M12×20L	11	22	65	140	365