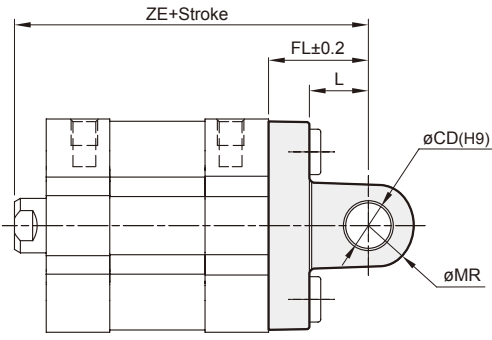
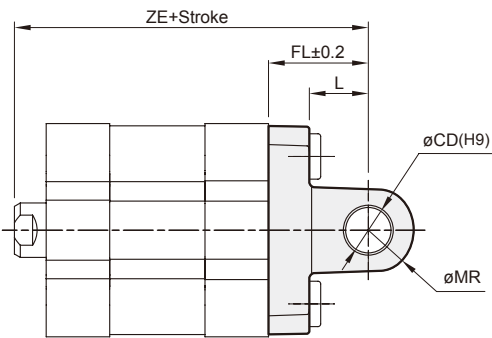


CA



Code Tube I.D.	CD	EW	FL	L	MR	ZE
20	8	16 h12	20	14	8	63
25	8	16 h12	20	14	8	65
32	10	25.8 ⁺⁰ _{-0.4}	22	13	10	73
40	12	27.8 ⁺⁰ _{-0.4}	25	16	12	77
50	12	31.8 ⁺⁰ _{-0.4}	27	16	12	80
63	16	39.8 ⁺⁰ _{-0.4}	32	21	16	89
80	16	49.8 ⁺⁰ _{-0.4}	36	22	16	100
100	20	59.8 ⁺⁰ _{-0.4}	41	30	21	118

CB



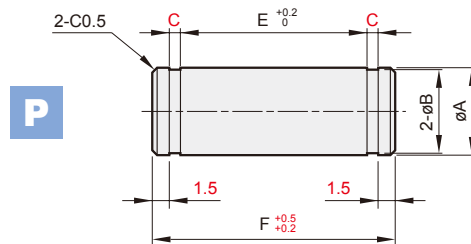
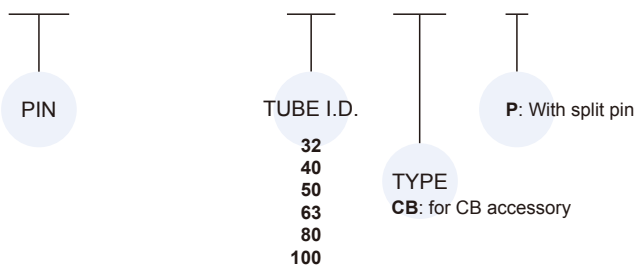
Code Tube I.D.	CB	CD	FL	L	MR	UB	ZE
32	26	10	22	13	10	45	73
40	28	12	25	16	12	52	77
50	32	12	27	16	12	60	80
63	40	16	32	21	16	70	89
80	50	16	36	22	16	90	100
100	60	20	41	29	20	110	118

* $\varnothing 20$, $\varnothing 25$ without CB accessory.

PIN

Order example

PIN — MCJI — 32 — CB — P



Code Tube I.D.	A(e8)	B	C	E	F	Snap ring
32	10	9.6	1.15	45.2	50.5	STW-10
40	12	11.5	1.15	52.2	57.5	STW-12
50	12	11.5	1.15	60.2	65.5	STW-12
63	16	15.2	1.15	70.2	75.5	STW-16
80	16	15.2	1.15	90.2	95.5	STW-16
100	20	19	1.35	110.3	116	STW-20