

Material

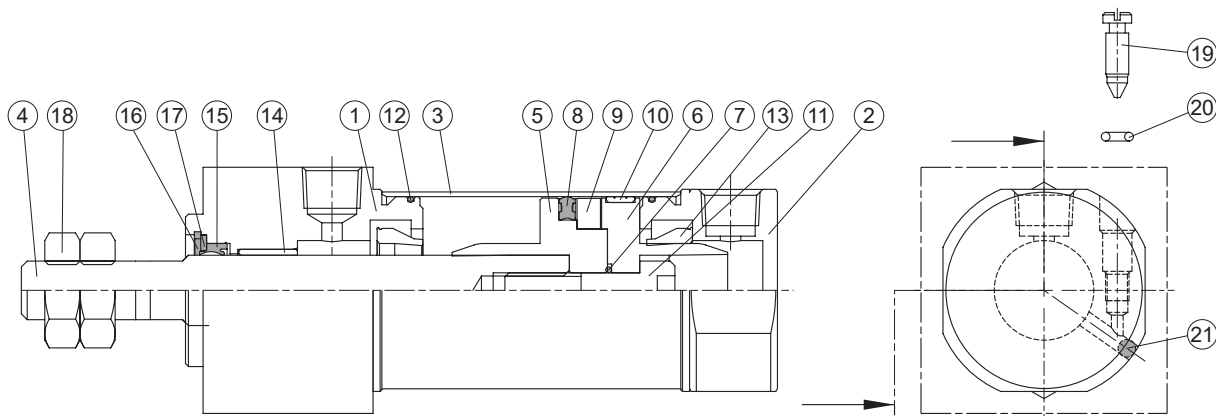
No.	Tube I.D. Part name	20	25	32	40	Q'y	Component parts (inclusion)
1	Rod cover	Aluminum alloy				1	●
2	Head cover	Aluminum alloy				1	●
3	Tube	Stainless steel				1	
4	Piston rod	Carbon steel				1	
5	Piston-R	Aluminum alloy				1	●
6	Piston-H	Aluminum alloy				1	●
7	Piston gasket	NBR				1	●
8	Piston packing	NBR				1	●
9	Magnet ring	Magnet material				1	●
10	Wear ring	Resin				1	●
11	Piston bolt	SCM				1	●
12	Cover ring	-	NBR			2	●
13	Cushion gasket	NBR				2	●
14	Rod bush	Bearing alloy				1	●
15	Rod packing *1	NBR				1	●
16	Snap ring	Spring steel				1	●
17	Washer	Carbon steel				1	●
18	Rod front nut	Carbon steel				2	●

*1. Only the rod packing is repairable, please contact our sales if needed.

Order example of component parts

Tube I.D.	Component parts
ø20	CP-MCMBRA-20
	CP-MCMBRB-20
ø25	CP-MCMBRA-25
	CP-MCMBRB-25
ø32	CP-MCMBRA-32
	CP-MCMBRB-32
ø40	CP-MCMBRA-40
	CP-MCMBRB-40

MINIATURE CYLINDER



Material

No.	Tube I.D. Part name	20	25	32	40	Q'y	Component parts (inclusion)
1	Rod cover	Aluminum alloy				1	●
2	Head cover	Aluminum alloy				1	●
3	Tube	Stainless steel				1	
4	Piston rod	Carbon steel				1	
5	Piston-R	Aluminum alloy				1	●
6	Piston-H	Aluminum alloy				1	●
7	Piston gasket	NBR				1	●
8	Piston packing	NBR				1	●
9	Magnet ring	Magnet material				1	●
10	Wear ring	Resin				1	●
11	Piston bolt	SCM				1	●
12	Cover ring	-	NBR			2	●
13	Cushion gasket	NBR				2	●
14	Rod bush	Bearing alloy				1	●
15	Rod packing *1	NBR				1	●
16	Snap ring	Spring steel				1	●
17	Washer	Carbon steel				1	●
18	Rod front nut	Carbon steel				2	●
19	Needle valve	Stainless steel	Carbon steel			2	●
20	Needle valve packing	NBR				2	●
21	Steel ball	Stainless steel				2	●

*1. Only the rod packing is repairable, please contact our sales if needed.

Order example of component parts

Tube I.D.	Component parts
ø20	CP-MCMBRA-20A
	CP-MCMBRB-20A
ø25	CP-MCMBRA-25A
	CP-MCMBRB-25A
ø32	CP-MCMBRA-32A
	CP-MCMBRB-32A
ø40	CP-MCMBRA-40A
	CP-MCMBRB-40A