

Order example

RCI — N — □

MODEL

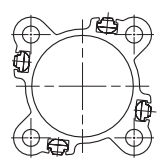
RCI: Reed Switch (5~240V)
 RCI1: Reed Switch (5~120V)
 RCI-N: Reed Switch (NPN)
 RCI-P: Reed Switch (PNP)
 RNI: NPN
 RPI: PNP

WIRE LENGTH

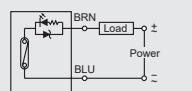
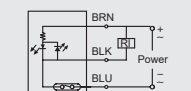
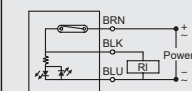
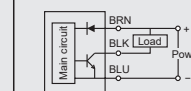
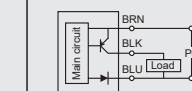
1M: L=1000mm
 2M: L=2000mm
 3M: L=3000mm
 QD: M8, 3 Pin connector
 EQD: M8, 3 Pin connect

* Special order is available.

Assembling style

Cylinder type	Mounting clamp
MCQI2, MCQI3, MCKQI2, MCBQI2, MCBQI3, MCJI, MCGI, MGTB, MGTU, MGTX, METB	

Specification

Model	RCI (RCI1)	RCI-N	RCI-P	RNI	RPI
Wiring	2 wire	3 wire		3 wire	
Switching logic	Normal open				
Switch Type	Reed switch			NPN current sinking	PNP current sourcing
Voltage range	5~240V DC/AC (5~120V DC/AC)	10~30V DC		10~30V DC	
Current range	100mA max.	500mA max.		200mA max.	
Contact rating (*1)	10W max.			6W max.	
Current consumption (*5)	—	5 mA@24V DC max.		20 mA@24V DC max.	
Voltage drop (*5)	3.5V max.	0.1V@100mA max.		1.5V max.	
Leakage current (*5)	—	—	—	0.05mA max.	
Indicator	Red LED	Yellow LED		Red LED	Yellow LED
Cable	ø3,2C,PUR	ø3,3C,PUR		ø3,3C,PUR	
Temperature	-10~+70°C (No freezing)				
Shock (*2)	30G			50G	
Vibration (*3)	9G				
Protection classification	IEC 60529 IP67				
Protection circuit (*4)	1			2,3,4	
Weight	23 g (2m cable)				
Connect diagram					

*1. Warning: Never exceed rating (watt=voltage×amperage). Permanent damage to sensor will occur.

*2. Sin wave / X.Y.Z. 3 directions / 3 times each direction / 11ms each time.

*3. Double amplitude 1.5mm / 10Hz~55Hz~10Hz(Sweep 1min) / X.Y.Z. 3 directions / 1 hour each time.

*4. 1=None / 2=Short-circuit / 3=Power source reverse polarity / 4=Surge suppression

*5. It bases on conditions of voltage 24V DC, ambient temp. 25°C and cable 2M length. Voltage drop increases in pace with cable length.

*6. Caution for safety please refer to page 9-3~4.