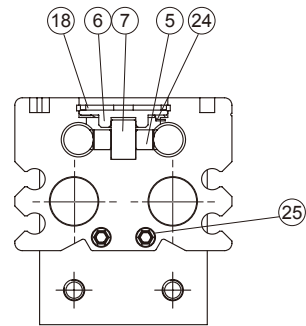
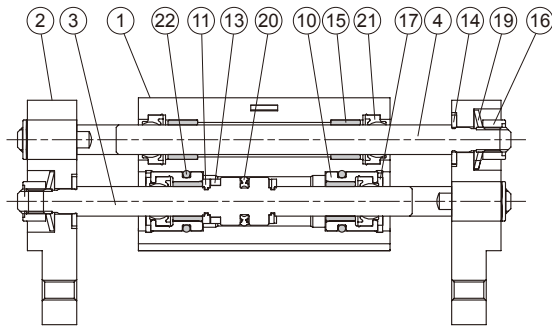
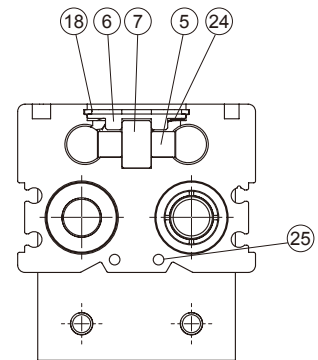
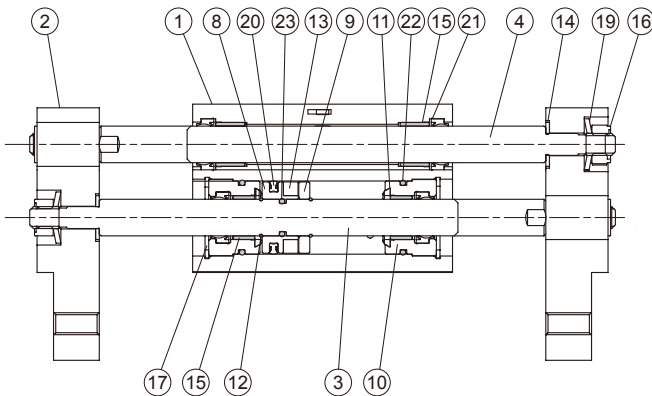


ø10



ø16~ø40



Material

No.	Tube I.D. Part name	10	16	20	25	32	40	Q'y	Repair kits (inclusion)
1	Body	Aluminum alloy						1	
2	Finger	Aluminum alloy						2	
3	Piston rod	Stainless steel						2	
4	Rack	Stainless steel						2	
5	Pinion	Carbon steel						1	
6	Pinion cover	Carbon steel						1	
7	Pinion axis	Stainless steel						1	
8	Piston	–	Brass				2		
9	Magnet holder	–	Brass				2		
10	Rod cover	Aluminum alloy						4	
11	Damper	NBR	PU	NBR			4	●	
12	Stop ring	–	Spring steel				4		
13	Magnet	Magnet material						2	
14	Washer	Stainless steel			Carbon steel			4	
15	Bearing	Oil containing polyacetal with back metal						8	
16	U nut	Carbon steel						4	
17	R-shape snap ring	*1	*2	Carbon steel		*2	4		
18	C-shape snap ring	Carbon steel						1	
19	Conical spring washer	Stainless steel *3						4	
20	Piston packing	NBR						2	●
21	Rod packing	NBR						8	●
22	O-ring	NBR						4	●
23	O-ring	–	NBR				2		
24	Wave washer	Carbon steel						1	
25	Screw	*1	–	Carbon steel			4		
	Ball	–	SUS	–			4		

Order example of repair kits

Tube I.D.	Repair kits
ø10	PS-MCHX-10
ø16	PS-MCHX-16
ø20	PS-MCHX-20
ø25	PS-MCHX-25
ø32	PS-MCHX-32
ø40	PS-MCHX-40

*1. Carbon steel

*2. Stainless steel

*3. ø40: Stainless steel 2 pcs + Carbon steel 2 pcs