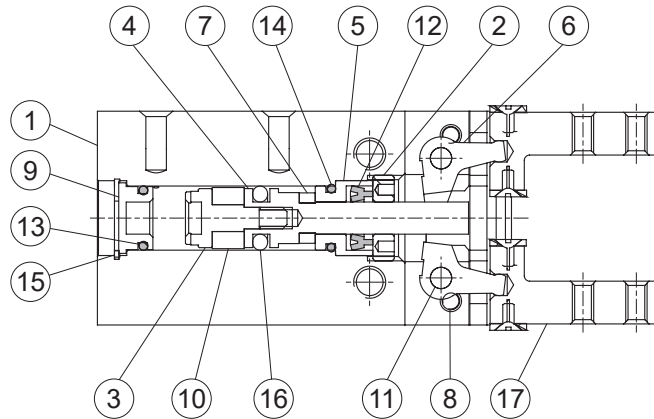


Double acting



Material

No.	Part name	Material	Q'y	Repair kits (inclusion)
1	Body	Aluminum alloy	1	
2	Front cap	Stainless steel	1	
3	Magnet holder	Stainless steel	1	
4	Piston rod	Stainless steel	1	
5	Rod cover	Stainless steel	1	
6	Lever	Stainless steel	2	
7	Cushion pad	PU	1	●
8	Screw	Stainless steel	4	
9	End cover	Aluminum alloy	1	
10	Magnet ring	Magnet material	1	
11	Pin	Bearing steel	2	
12	Rod packing	NBR	1	●
13	O-ring	NBR	1	
14	O-ring	NBR	1	
15	Snap ring	Carbon steel	1	●
16	Piston packing	NBR	1	●
17	Gripping set	Stainless steel (*)	1	

* Bearing steel balls as standard.

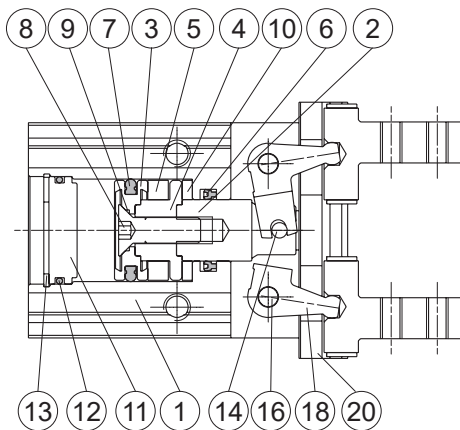
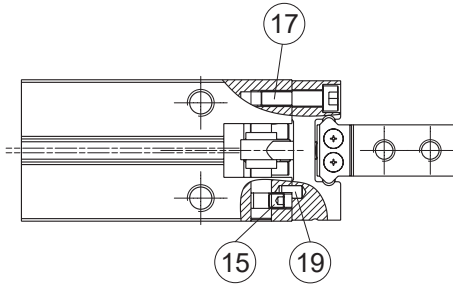
Order example of repair kits

Tube I.D.	Repair kits
ø6	PS-MCHC-6

PARALLEL GRIPPER (2-Finger)

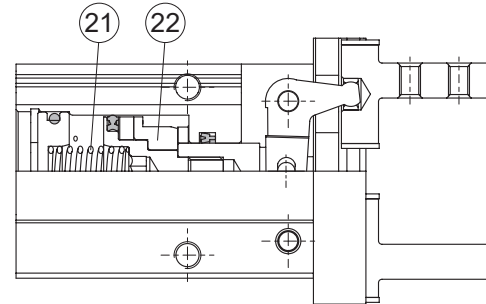
mindman

Double acting



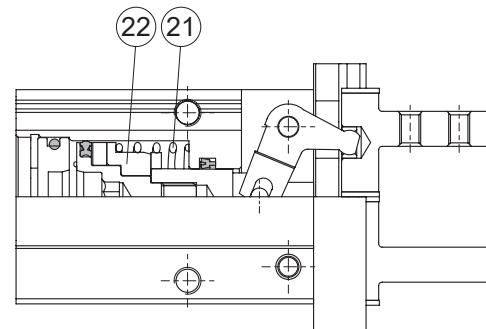
Single acting

Normally open



Single acting

Normally closed



Material

No.	Tube I.D. Part name	10	16	20	25	Q'y	Repair kits (inclusion)	
							Double acting	Single acting
1	Body	Aluminum alloy				1		
2	Piston rod	Stainless steel				1		
3	Piston	Aluminum alloy *1				1		
4	Magnet holder	*2	Aluminum alloy			1		
5	Magnet ring	Magnet material				1		
6	Rod packing	NBR				1	●	●
7	Piston packing	NBR				1	●	●
8	Screw	—	Stainless steel			1		
9	O-ring	—	NBR			1	●	
10	Cushion pad	PU				1	●	●
11	End cover	Aluminum alloy				1		
12	Cover ring	NBR				1	●	●
13	Snap ring	*3	Stainless steel			1		
14	Spindle river	Carbon steel				1		
15	Screw	Stainless steel		Alloy steel		4		
16	Grip rivet	Bearing steel				2		
17	Bolt	Stainless steel				4		
18	Lever	Stainless steel				2		

No.	Tube I.D. Part name	10	16	20	25	Q'y	Repair kits (inclusion)	
							Double acting	Single acting
19	Pin	Bearing steel				2		
20	Gripping set	Stainless steel *4				1		
21	Spring	Stainless steel				1		
22	Spring holder	Stainless steel				1		

*1. Single acting: Stainless steel

*2. Stainless steel

*3. Carbon steel

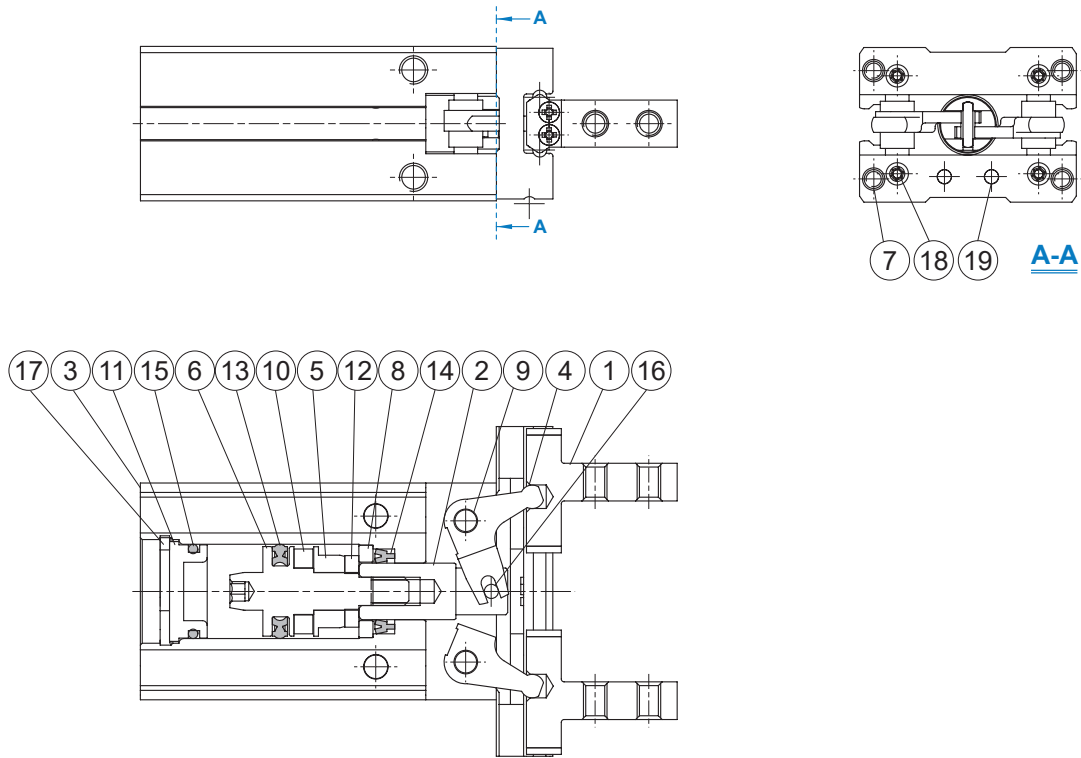
*4. Bearing steel balls as standard.

Order example of repair kits

Tube I.D.	Repair kits	
	Double acting	Single acting N.O. / N.C.
$\varnothing 10$	PS-MCHC-10	PS-MCHC-10-S
$\varnothing 16$	PS-MCHC-16	PS-MCHC-16-S
$\varnothing 20$	PS-MCHC-20	PS-MCHC-20-S
$\varnothing 25$	PS-MCHC-25	PS-MCHC-25-S

PARALLEL GRIPPER

Double acting



Material

No.	Tube I.D. Part name	10	16	20	25	Q'y	Repair kits (inclusion)
1	Gripping set	Stainless steel *1				1	
2	Piston rod	Stainless steel				1	
3	Body	Aluminum alloy				1	
4	Lever	Stainless steel				2	
5	Spring holder	Stainless steel				1	
6	Piston	Stainless steel				1	
7	Bolt	Stainless steel				4	
8	Stop ring	*2	-			1	
9	Grip rivet	Carbon steel				2	
10	Magnet ring	Magnet material				1	
11	End cover	Aluminum alloy				1	
12	Gasket	NBR				1	●
13	Piston packing	NBR				1	●
14	Rod packing	NBR				1	●
15	O-ring	NBR				1	●
16	Spindle river	Carbon steel				1	
17	Snap ring	*3	Stainless steel			1	
18	Hexagon screw	*2	Alloy steel			4	
19	Pin	Carbon steel				2	

*1. Bearing steel balls as standard.

2. Stainless steel 3. Carbon steel

Order example of repair kits

* $\phi 10$ use the same repair kits with standard stroke single acting type.

Tube I.D.	Repair kits
$\phi 10$	PS-MCHC-10-S
$\phi 16$	PS-MCHCL-16
$\phi 20$	PS-MCHCL-20
$\phi 25$	PS-MCHCL-25