

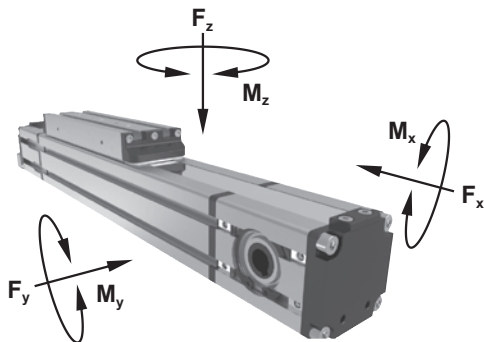


### Max values for dynamic conditions.

Please refer to the following formula when combined loads are applied.

$$\frac{F_{yA}}{F_y} + \frac{F_{zA}}{F_z} + \frac{M_{xA}}{M_x} + \frac{M_{yA}}{M_y} + \frac{M_{zA}}{M_z} \leq 1$$

\* The A letters show the calculated value.



### Features

- Belt driven unit with railway integrated.
- Extruded aluminum anodized 6060 alloy, tempered stainless steel protection band.
- Carriage with sealed system to protect against pollution.

### Specification

Model		METB		
Size	(mm)	42	55	80
Max. speed	(m/s)	3	3	3
Max. stroke length	(mm)	6000	6000	6000
Min. stroke length	(mm)	100	100	100
Pulley drive ratio	(mm)	90	120	160
Number of teeth of pulley	(mm)	18	24	32
Belt width (Teeth type ATL5)	(mm)	12	16	25
Max rpm	(g/min)	2000	1500	1150
Max. load	F <sub>x</sub> (N)	460	820	1650
	F <sub>y</sub> (N)	1560	1850	4500
	F <sub>z</sub> (N)	1560	1850	4500
Moments	M <sub>x</sub> (Nm)	20	25	80
	M <sub>y</sub> (Nm)	55	120	450
	M <sub>z</sub> (Nm)	55	120	450
Inertia moment aluminum profile	I <sub>x</sub> (cm <sup>4</sup> )	11.8	36	183
	I <sub>y</sub> (cm <sup>4</sup> )	14.2	45	226
Positioning repeatability	(mm)	±0.05	±0.05	±0.05
Max. radial load on input shaft	(N)	220	300	300
No load torque	(Nm)	>0.1	>0.5	0.9
Sensor switch (*)		RCI		
Basic weight	(kg)	1.6	4.8	6
Added weight per 100 mm stroke	(kg)	0.25	0.37	0.9

\* RCI specification, please refer to page 5-7.

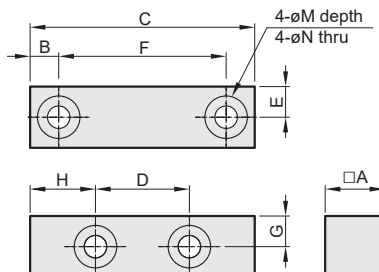
### Order example

**METB - 42 - 0100 - F08 L**

Model	Size (mm)	Stroke	Shaft versions	Male shaft																																											
METB Female shaft	42 42×42 55 55×55 80 80×80	100~6000 mm (4 codes) * Minimum stroke unit 1mm.	<table border="1"> <thead> <tr> <th>Size</th> <th>Type</th> <th>ø</th> <th>Part No.</th> </tr> </thead> <tbody> <tr> <td rowspan="3">42</td> <td>Female shaft</td> <td>8</td> <td>F08</td> </tr> <tr> <td>Male shaft</td> <td>12</td> <td>M12</td> </tr> <tr> <td>Double male shaft</td> <td>12</td> <td>D12</td> </tr> <tr> <td rowspan="3">55</td> <td>Female shaft</td> <td>8</td> <td>F08</td> </tr> <tr> <td>Male shaft</td> <td>16</td> <td>M16</td> </tr> <tr> <td>Double male shaft</td> <td>16</td> <td>D16</td> </tr> <tr> <td rowspan="3">80</td> <td>Female shaft</td> <td>19</td> <td>F19</td> </tr> <tr> <td>Male shaft</td> <td>19</td> <td>M19</td> </tr> <tr> <td>Double male shaft</td> <td>19</td> <td>D19</td> </tr> </tbody> </table>	Size	Type	ø	Part No.	42	Female shaft	8	F08	Male shaft	12	M12	Double male shaft	12	D12	55	Female shaft	8	F08	Male shaft	16	M16	Double male shaft	16	D16	80	Female shaft	19	F19	Male shaft	19	M19	Double male shaft	19	D19	<table border="1"> <thead> <tr> <th></th> <th>L</th> <th>R</th> </tr> </thead> <tbody> <tr> <td>Left shaft</td> <td></td> <td></td> </tr> <tr> <td>Right shaft</td> <td></td> <td></td> </tr> </tbody> </table>		L	R	Left shaft			Right shaft		
Size	Type	ø	Part No.																																												
42	Female shaft	8	F08																																												
	Male shaft	12	M12																																												
	Double male shaft	12	D12																																												
55	Female shaft	8	F08																																												
	Male shaft	16	M16																																												
	Double male shaft	16	D16																																												
80	Female shaft	19	F19																																												
	Male shaft	19	M19																																												
	Double male shaft	19	D19																																												
	L	R																																													
Left shaft																																															
Right shaft																																															
Male shaft																																															
Double male shaft																																															

### End cap mounting

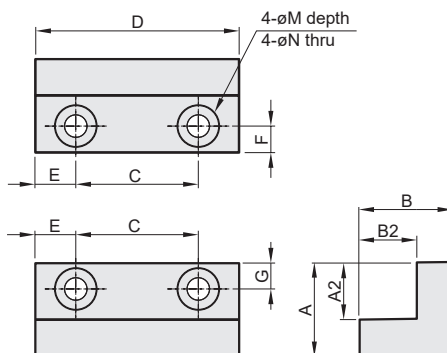
(2 pcs/set)



Code Size	A	B	C	D	E	F	G	H	M	N	Weight (g)	Order number
<b>METB-42</b>	14	5	42	16	7	32	7	13	8×4.4 depth	4.5	65	<b>LB-EB1-42</b>
<b>METB-55</b>	15	7	55	23	7.5	41	7	16	10×5 depth	5.5	100	<b>LB-EB1-55</b>
<b>METB-80</b>	16	8	80	40	8	64	8	20	11×6 depth	6.6	160	<b>LB-EB1-80</b>

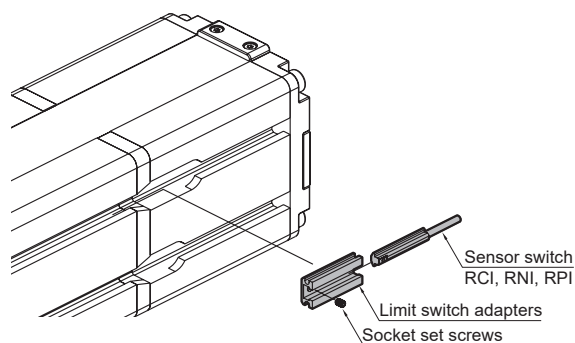
### Mid section mounting

(2 pcs/set)



Code Size	A	A2	B	B2	C	D	E	F	G	M	N	Weight (g)	Order number
<b>METB-42</b>	17	12	17	12	25	40	7.5	6	6	10×3.5 depth	5.5	45	<b>MS-EB1-42</b>
<b>METB-55</b>	23	14	23	14	30	50	10	6.5	6.5	10×5.5 depth	5.5	130	<b>MS-EB1-55</b>
<b>METB-80</b>	32	19	34	21	40	60	10	8	10	15×8.6 depth	9	310	<b>MS-EB1-80</b>

### Installation of sensor switch



### Limit switch adapters

**AK-EB1 (Only for size 80)**

Weight: 15 g

