

METS-22 series

SLIDER ELECTRIC CYLINDER (WITHOUT MOTOR)



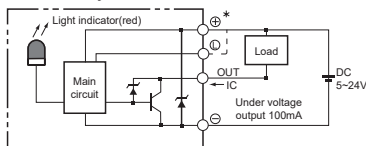
mindman



Specification

Model		METS-22			
Positioning repeatability (mm)		±0.01			
Ball screw lead (mm)		5	10	25	40
Max. speed (mm/s)		250	500	1250	2000
AC servo motor (W)		750W			
Max. payload	Horizontal (kg)	150	150	120	60
	Vertical (kg)	55	45	20	10
Rated thrust (N)		2563	1281	640	320
Stroke (mm)		100~1500 / 50 pitch			
Ball screw (mm)		C7ø25	C7ø25	C7ø25	C7ø20
High rigidity linear guide (mm)		W23×H18			
Coupling (mm)		17×19		12×19	
Home sensor	Outside	EE-SX672 (NPN)			
	Built in	EE-SX674 (NPN)			

Sensor layout



Order example

METS-22 - L10 - 100 - M - M75 B - C4

Model

Size

Stroke

100~1500 mm
50 mm pitch

Brakes ^{(*)2}

-	No brake
B	With brake

Ball screw lead		Motor position		Motor brand ^{(*)1}		Flange face		Home sensor		Limit sensor	
L05	5 mm	M	Built-in	M	Mitsubishi	75	750W	In side		In side	
L10	10 mm	BC	Direct connection		Yaskawa			A	Motor side	1	1 Pc
L25	25 mm	BM	Lower side	Delta	C	Opposite motor side	2		2 Pcs		
L40	40 mm	BR	Right side	Panasonic		Out side		Out side			
		BL	Left side	E	Else	C	Motor side	3	1 Pc		
						D	Opposite motor side	4	2 Pcs		
						No sensor		No sensor			
						E	None	5	None		

*1. Standard type is without motor. Please refer to the list of standard motors for flange size.
*2. Only for motor position "Built-in".

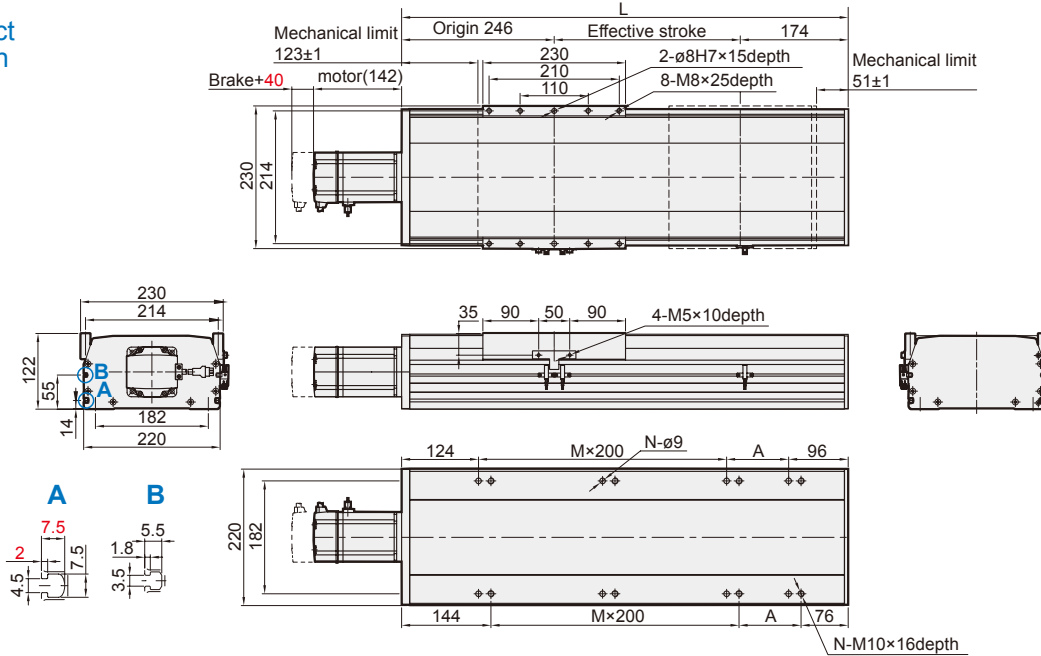
METS-22 Dimensions – Servo motor 750W



SLIDER ELECTRIC CYLINDER (WITHOUT MOTOR)

BC

Motor direct connection

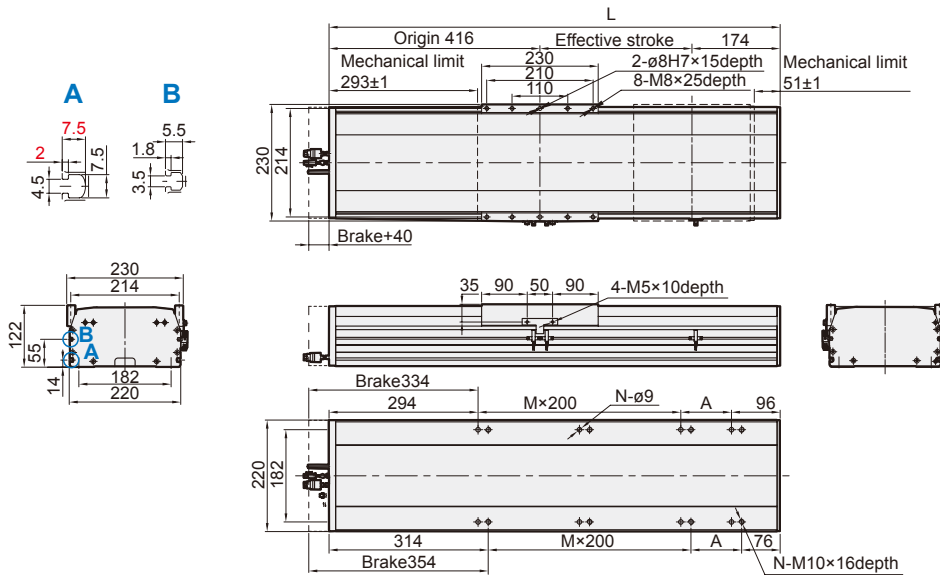


Unit: mm

Stroke	50	100	150	200	250	300	350	400	450	500	550	600	650	700	750	800	850	900	950	1000	1050	1100	1150	1200	1250	1300	1350	1400	1450	1500
L	470	520	570	620	670	720	770	820	870	920	970	1020	1070	1120	1170	1220	1270	1320	1370	1420	1470	1520	1570	1620	1670	1720	1770	1820	1870	1920
A	50	100	150	200	50	100	150	200	50	100	150	200	50	100	150	200	50	100	150	200	50	100	150	200	50	100	150	200	50	100
M	1	1	1	1	2	2	2	2	3	3	3	3	4	4	4	4	5	5	5	5	6	6	6	6	7	7	7	7	8	8
N	6	6	6	6	8	8	8	8	10	10	10	10	12	12	12	12	14	14	14	14	16	16	16	16	18	18	18	18	20	20
KG	25.4	26.86	28.32	29.78	31.24	32.7	34.16	35.62	37.08	38.54	40	41.46	42.92	44.38	45.84	47.3	48.76	50.22	51.68	53.14	54.6	56.06	57.52	58.98	60.44	61.9	63.36	64.82	66.28	67.74

M

Motor built-in



Unit: mm

Stroke	50	100	150	200	250	300	350	400	450	500	550	600	650	700	750	800	850	900	950	1000	1050	1100	1150	1200	1250	1300	1350	1400	1450	1500
L	640	690	740	790	840	890	940	990	1040	1090	1140	1190	1240	1290	1340	1390	1440	1490	1540	1590	1640	1690	1740	1790	1840	1890	1940	1990	2040	2090
A	50	100	150	200	50	100	150	200	50	100	150	200	50	100	150	200	50	100	150	200	50	100	150	200	50	100	150	200	50	100
M	1	1	1	1	2	2	2	2	3	3	3	3	4	4	4	4	5	5	5	5	6	6	6	6	7	7	7	7	8	8
N	6	6	6	6	8	8	8	8	10	10	10	10	12	12	12	12	14	14	14	14	16	16	16	16	18	18	18	18	20	20
KG	27.85	29.32	30.79	32.26	33.73	35.2	36.67	38.14	39.61	41.08	42.55	44.02	45.49	46.96	48.43	49.9	51.37	52.84	54.31	55.78	57.25	58.72	60.19	61.66	63.13	64.6	66.07	67.54	69.01	70.48

METS-22 Dimensions – Servo motor 750W

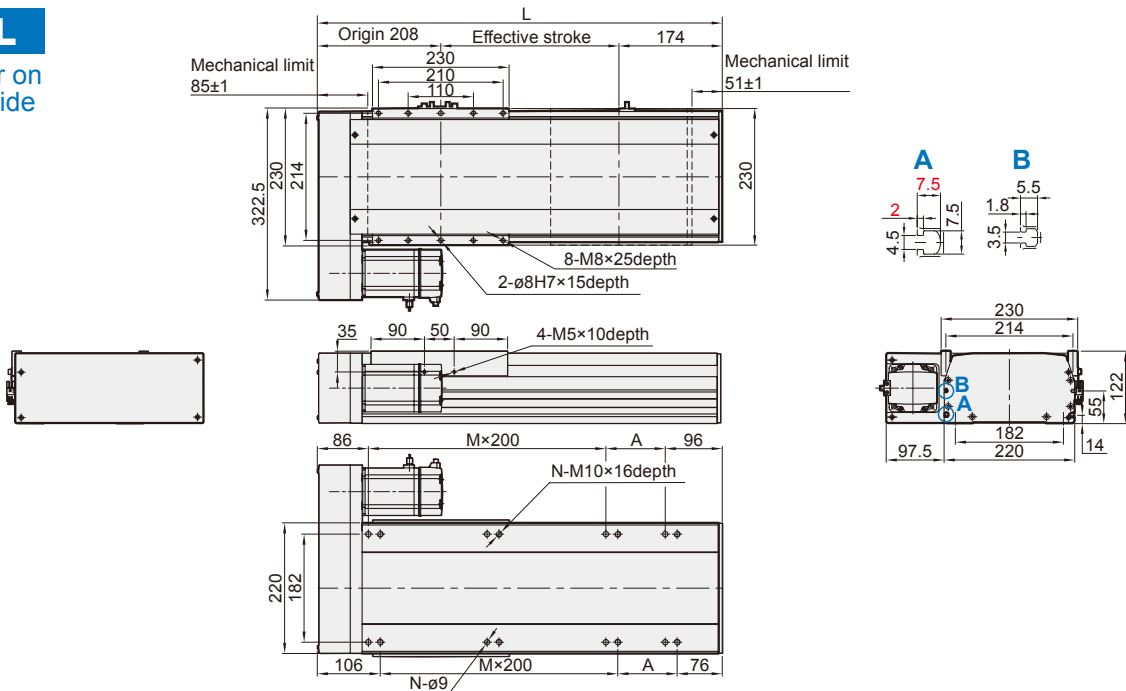


SLIDER ELECTRIC CYLINDER (WITHOUT MOTOR)

mindman

BL

Motor on left side

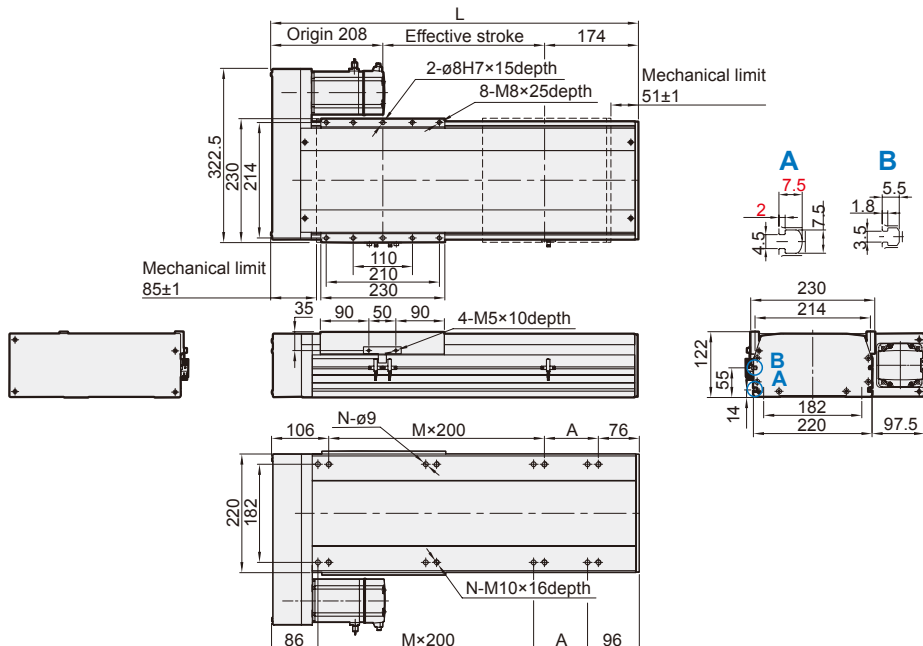


Unit: mm

Stroke	50	100	150	200	250	300	350	400	450	500	550	600	650	700	750	800	850	900	950	1000	1050	1100	1150	1200	1250	1300	1350	1400	1450	1500
L	432	482	532	582	632	682	732	782	832	882	932	982	1032	1082	1132	1182	1232	1282	1332	1382	1432	1482	1532	1582	1632	1682	1732	1782	1832	1882
A	50	100	150	200	50	100	150	200	50	100	150	200	50	100	150	200	50	100	150	200	50	100	150	200	50	100	150	200	50	100
M	1	1	1	1	2	2	2	2	3	3	3	3	4	4	4	4	5	5	5	5	6	6	6	6	7	7	7	7	8	8
N	6	6	6	6	8	8	8	8	10	10	10	10	12	12	12	12	14	14	14	14	16	16	16	16	18	18	18	18	20	20
KG	24.2	25.66	27.12	28.58	30.04	31.5	32.96	34.42	35.88	37.34	38.8	40.26	41.72	43.18	44.64	46.1	47.56	49.02	50.48	51.94	53.4	54.86	56.32	57.78	59.24	60.7	62.16	63.62	65.08	66.54

BR

Motor on right side



Unit: mm

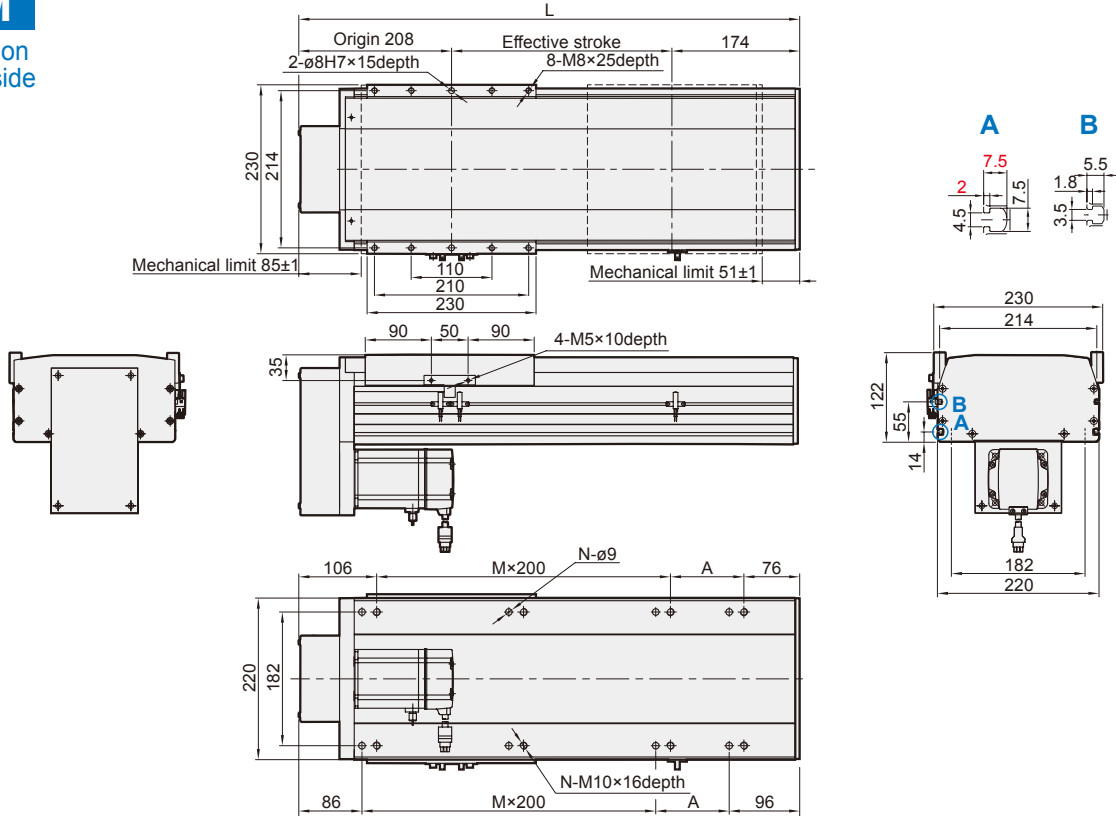
Stroke	50	100	150	200	250	300	350	400	450	500	550	600	650	700	750	800	850	900	950	1000	1050	1100	1150	1200	1250	1300	1350	1400	1450	1500
L	432	482	532	582	632	682	732	782	832	882	932	982	1032	1082	1132	1182	1232	1282	1332	1382	1432	1482	1532	1582	1632	1682	1732	1782	1832	1882
A	50	100	150	200	50	100	150	200	50	100	150	200	50	100	150	200	50	100	150	200	50	100	150	200	50	100	150	200	50	100
M	1	1	1	1	2	2	2	2	3	3	3	3	4	4	4	4	5	5	5	5	6	6	6	6	7	7	7	7	8	8
N	6	6	6	6	8	8	8	8	10	10	10	10	12	12	12	12	14	14	14	14	16	16	16	16	18	18	18	18	20	20
KG	24.2	25.66	27.12	28.58	30.04	31.5	32.96	34.42	35.88	37.34	38.8	40.26	41.72	43.18	44.64	46.1	47.56	49.02	50.48	51.94	53.4	54.86	56.32	57.78	59.24	60.7	62.16	63.62	65.08	66.54

METS-22 Dimensions – Servo motor 750W

SLIDER ELECTRIC CYLINDER (WITHOUT MOTOR)



BM
Motor on lower side



Unit: mm

Stroke	50	100	150	200	250	300	350	400	450	500	550	600	650	700	750	800	850	900	950	1000	1050	1100	1150	1200	1250	1300	1350	1400	1450	1500
L	432	482	532	582	632	682	732	782	832	882	932	982	1032	1082	1132	1182	1232	1282	1332	1382	1432	1482	1532	1582	1632	1682	1732	1782	1832	1882
A	50	100	150	200	50	100	150	200	50	100	150	200	50	100	150	200	50	100	150	200	50	100	150	200	50	100	150	200	50	100
M	1	1	1	1	2	2	2	2	3	3	3	3	4	4	4	4	5	5	5	5	6	6	6	6	7	7	7	7	8	8
N	6	6	6	6	8	8	8	8	10	10	10	10	12	12	12	12	14	14	14	14	16	16	16	16	18	18	18	18	20	20
KG	24.2	25.66	27.12	28.58	30.04	31.5	32.96	34.42	35.88	37.34	38.8	40.26	41.72	43.18	44.64	46.1	47.56	49.02	50.48	51.94	53.4	54.86	56.32	57.78	59.24	60.7	62.16	63.62	65.08	66.54