

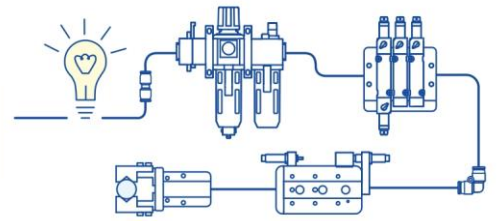
Feb. 13<sup>th</sup>, 2023

## Air Treatment Unit

### Notification for adding order code " R"

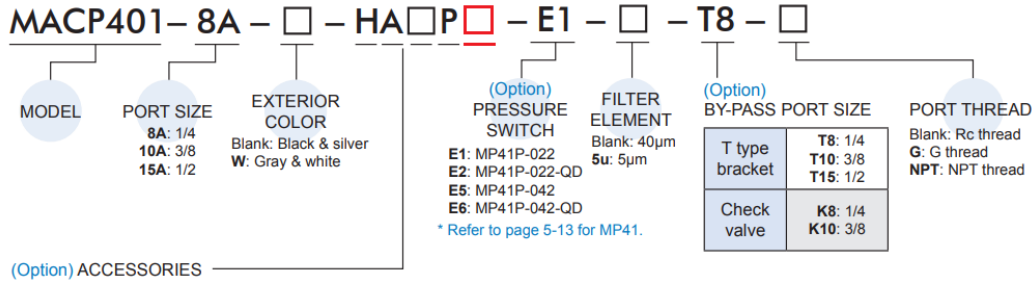
Thank you for supporting Mindman products. The design change will apply to the following models. Sorry for any inconvenience may occur. Please kindly understand and cooperate.

1. Model series  
MACT、MACP、MACC、MAFR、MAR、MAIR、MAF、MAL、MAM\*、MVHR (Except for MAF900/901、MAL900)
2. Design change reason
  - (1) In response to market demand, a new flow direction "right to left" specification is added, and the order code is " R".
  - (2) The specification of MAM\*-QR (with differential pressure indicator and switch) avoids the similarity with code "R", and the code is changed to "QS".
3. Change descriptions  
See next page.
4. Effective date  
Effective immediately.
5. If there is any questions, please contact our sales department.



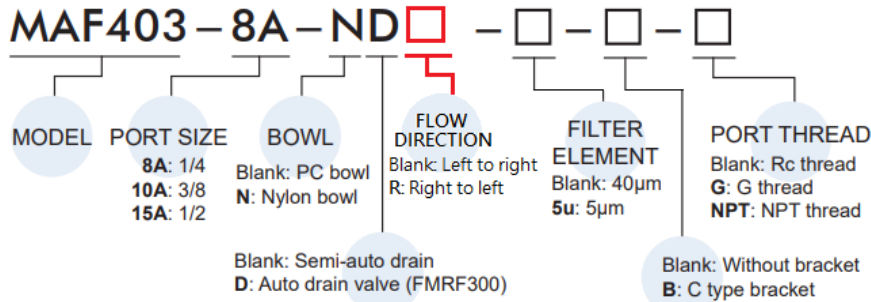
After

MACP、MACT、MAFR series

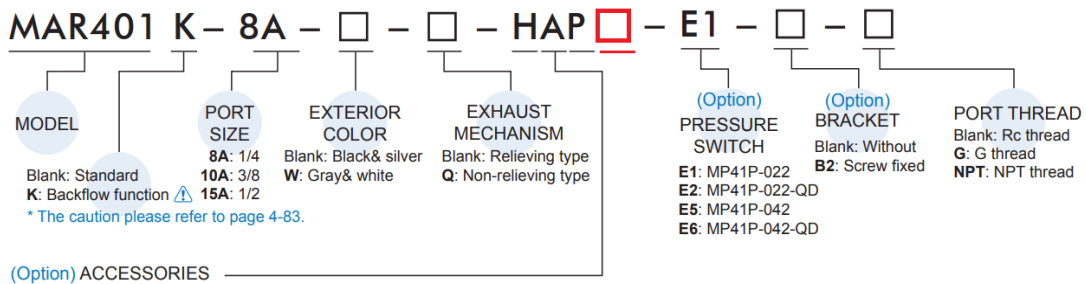


Type	Pressure gauge	Drain valve	Pressure switch	Flow direction
Blank: Standard type	Blank: Pressure gauge (PG-20) C: External pressure gauge (PG-40) + Gauge adapter set (A-MAR401) A: Gauge adapter set (A-MAR401)	Blank: Semi-auto drain D: Auto drain valve (FMRF300)	P: Pressure switch (MPS series)	Blank: Left to right R: Right to left
H: High pressure type	C: External pressure gauge (PG-40) + Gauge adapter set (A-MAR401) A: Gauge adapter set (A-MAR401)	Blank: Semi-auto drain	-	

MACC300、MAF、MAL series



MAR series



Type	Pressure gauge	Pressure switch	Flow direction
Blank: Standard type	Blank: Pressure gauge (PG-20) C: External pressure gauge (PG-40) + Gauge adapter set (A-MAR401) A: Gauge adapter set (A-MAR401)	P: Pressure switch (MPS series)	Blank: Left to right R: Right to left
H: High pressure type	C: External pressure gauge (PG-40) + Gauge adapter set (A-MAR401) A: Gauge adapter set (A-MAR401)	-	

