

Mar. 27th, 2023

METB Series Profile Change Notification

Thank you for supporting Mindman products. The design change will apply to the following models. Sorry for any inconvenience may occur. Please kindly understand and cooperate.

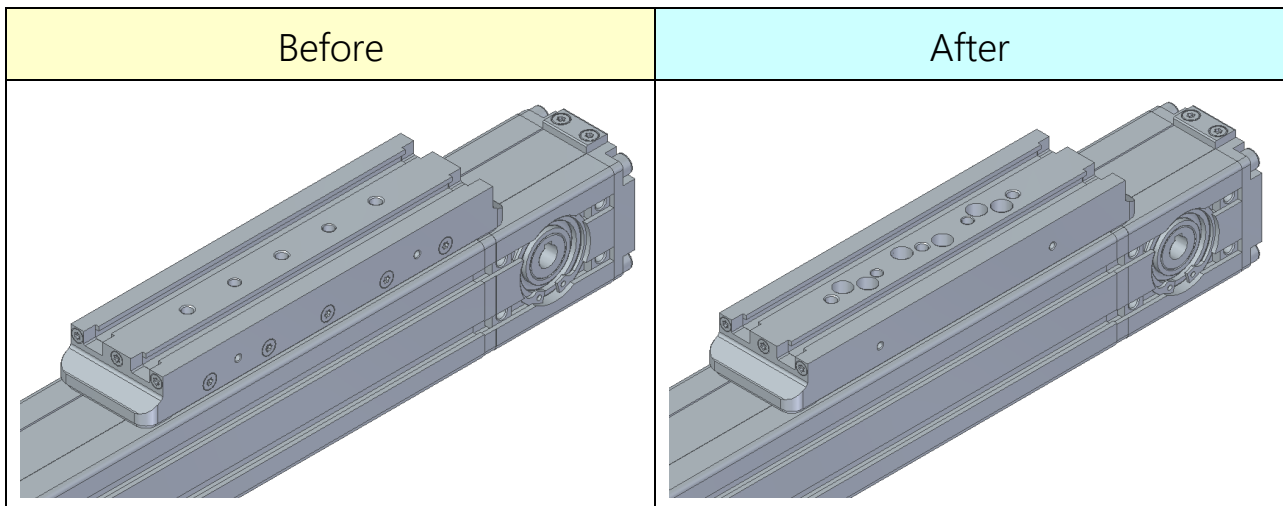
1. Model series

METB Series

2. Design change reason

In order to simplify the installation method of the slide table, the appearance is changed. It does not affect the customer's installation hole location and size.

3. Change descriptions



4. Effective date

It will not affect the performance and usage, and will replace sequentially.

5. If there is any question, please contact our sales department.