

Nov. 27,2025

MCRQ、MCRQ-S、MCSF-5 Series Specification Change Notification

Thank you for supporting Mindman products. The design change will apply to the following models. Sorry for any inconvenience may occur. Please kindly understand and cooperate.

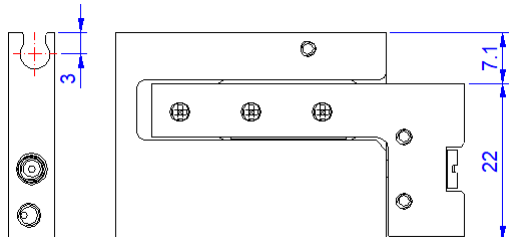
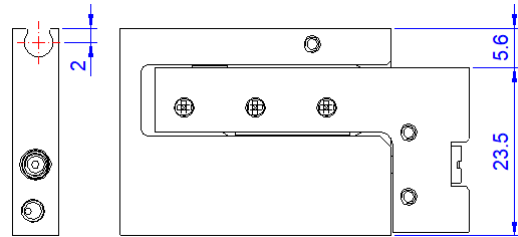
1. Model series

MCRQ : Ø12~Ø40
MCRQ-S : Ø16~Ø40
MCSF-5

2. Design change reason

Due to adjustments in the marketing strategy, the model ordering has been adjusted.

3. Change descriptions

Before	After
1. Model : MCRQ、MCRQ-S Model : MCSF-5 2. Sensor switch : RDFE(V)、RNF(V)、RPF(V)	1. Model : MCRQ 2 、MCRQ 2 -S Model : MCSF 2 -5 2.Sensor switch : RDC(V)、RQC(V)
MCSF-5 	MCSF2-5 

4. Effective date:

MCRQ~~2~~、MCRQ~~2~~-S : 2026.02.05
MCSF~~2~~-5 : The replacement model will be implemented as the standard offering when the existing inventory of the discontinued models is exhausted.

5. If there is any question, please contact our sales department.