

RADIAL / ANGULAR

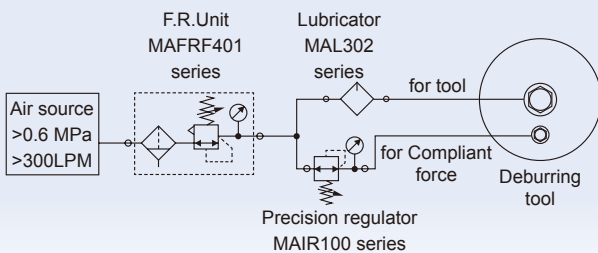
COMPLIANT DEBURRING TOOL FOR ROBOT



Model	TRG20	TRG30	TRF20	TAF20
Compliant type	Radial	Radial	Radial	Angular
Applications	Curved edge	Curved edge	Curved edge	Straight edge
Burr size	S, M	L	S	S
Tool	Cutter	Cutter	Round file	File
Workpiece type	Plastic, die-casting	Plastic, die-casting	Die-casting	Die-casting

Suggested circuit diagram

Prepare a suitable air source as illustrated below.

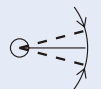


Compliant type

For different application requirements, there are two types of floats to choose from.

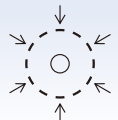
Angular

Floating in an angular direction. Allow lateral tolerance and position change. Suitable for straight line or plane deburring.



Radial

Floating in a radial direction. Allow radial tolerance or position change. Suitable for complex contour deburring.



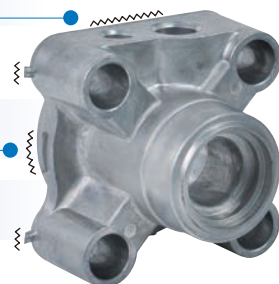
Application of workpiece

- The contact force to the edge of the workpiece can be set. (Please refer to the manual for details)
- Improve work efficiency and workpiece quality.

TAF20

TRG20, TRF20

TRG30



TRG20, TRF20

TAF20

TRF20



< Die-casting workpiece >



(Cutter is not attached)

Order example

TRG20

MODEL

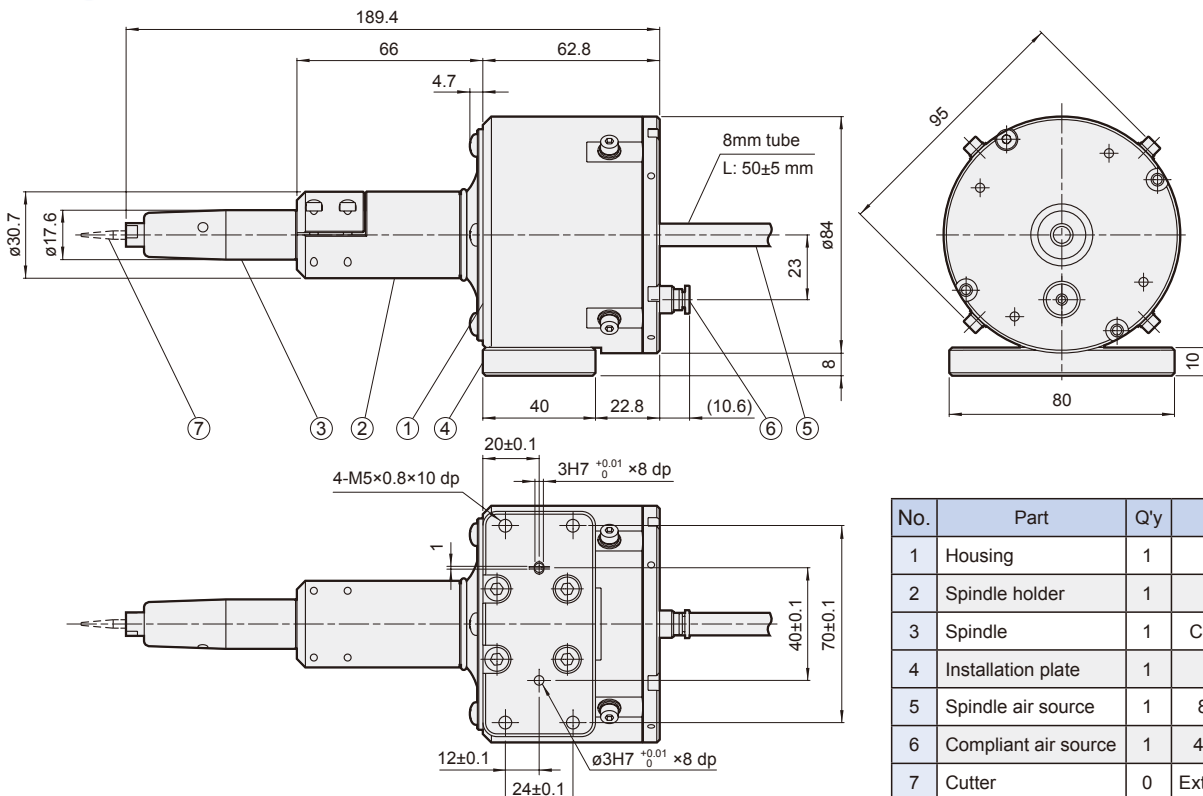
Feature

- Used to remove the smallest burrs on curved edges.
- Suitable for plastic, die-casting and machined workpieces.

Specification

Model	TRG20
Compliant angle (°)	3.5 (radial)
Compliant force (N)	2-10
Nominal operating pressure (MPa)	Compliant force: 0.1-0.5 Spindle: 0.6
Air source requirement	> 0.6 MPa, clean, dry, filtered ≤ 5µm
Air consumption (LPM)	Compliant force: neglectable Spindle: 150
Oil consumption (drops/min)	1-2 (for the spindle only, do not lubricate the compliant part)
Spindle type	Vane motor
Spindle idle speed (RPM)	65000
Cutter shank diameter (mm)	3
Ambient temperature (°C)	+5~+35
Ambient moisture (%)	< 95
Weight (kg)	1.2

* Please contact our sales department when the product requires to be repaired and replacement of consumables. Unauthorized disassembly will void the warranty.



No.	Part	Q'y	Note
1	Housing	1	-
2	Spindle holder	1	-
3	Spindle	1	Consumable
4	Installation plate	1	-
5	Spindle air source	1	8 mm tube
6	Compliant air source	1	4 mm fitting
7	Cutter	0	Extra purchase



(Cutter is not attached)

Order example TRG30

MODEL

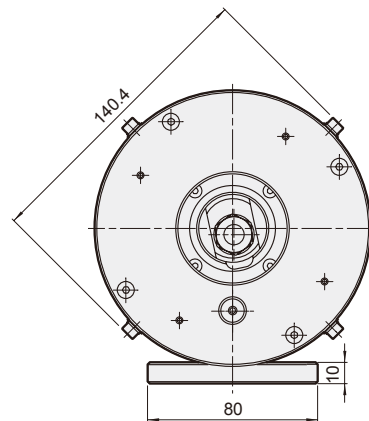
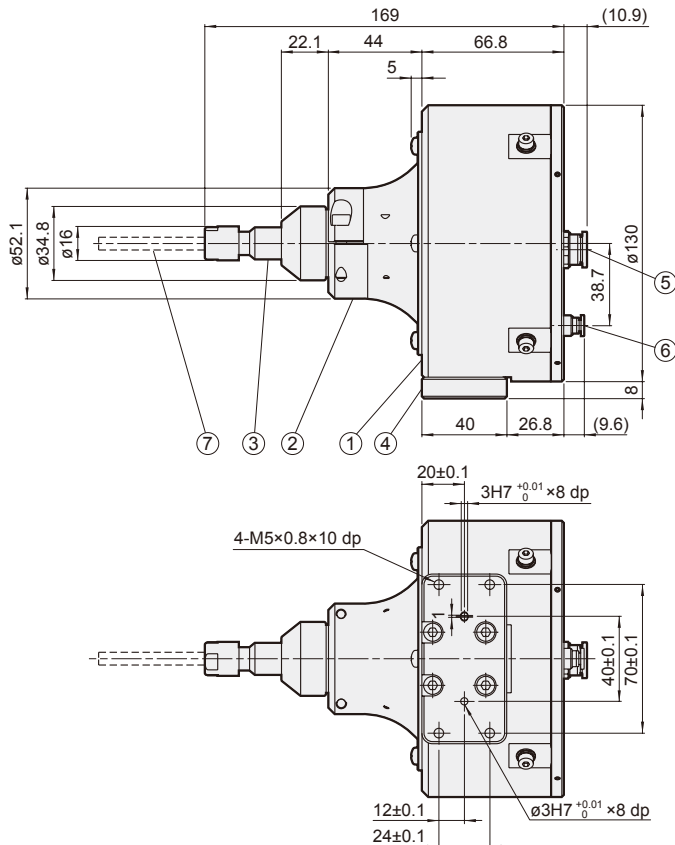
Feature

- Used to remove the thicker burrs on curved edges.
- Suitable for plastic, die-casting and machined workpieces.

Specification

Model	TRG30
Compliant angle (°)	3.5 (radial)
Compliant force (N)	6-30
Nominal operating pressure (MPa)	Compliant force: 0.1-0.5 Spindle: 0.6
Air source requirement	> 0.6 MPa, clean, dry, filtered ≤ 5μm
Air consumption (LPM)	Compliant force: neglectable Spindle: 350
Oil consumption (drops/min)	1-2 (for the spindle only, do not lubricate the compliant part)
Spindle type	Vane motor
Spindle idle speed (RPM)	25000
Cutter shank diameter (mm)	6
Ambient temperature (°C)	+5~+35
Ambient moisture (%)	< 95
Weight (kg)	2.9

* Please contact our sales department when the product requires to be repaired and replacement of consumables. Unauthorized disassembly will void the warranty.



No.	Part	Q'y	Note
1	Housing	1	-
2	Spindle holder	1	-
3	Spindle	1	Consumable
4	Installation plate	1	-
5	Spindle air source	1	8 mm fitting
6	Compliant air source	1	4 mm fitting
7	Cutter	0	Extra purchase



(File is not attached)

Feature

- Used to remove the smallest burrs on curved edges.
- Suitable for die-casting and machined workpieces.

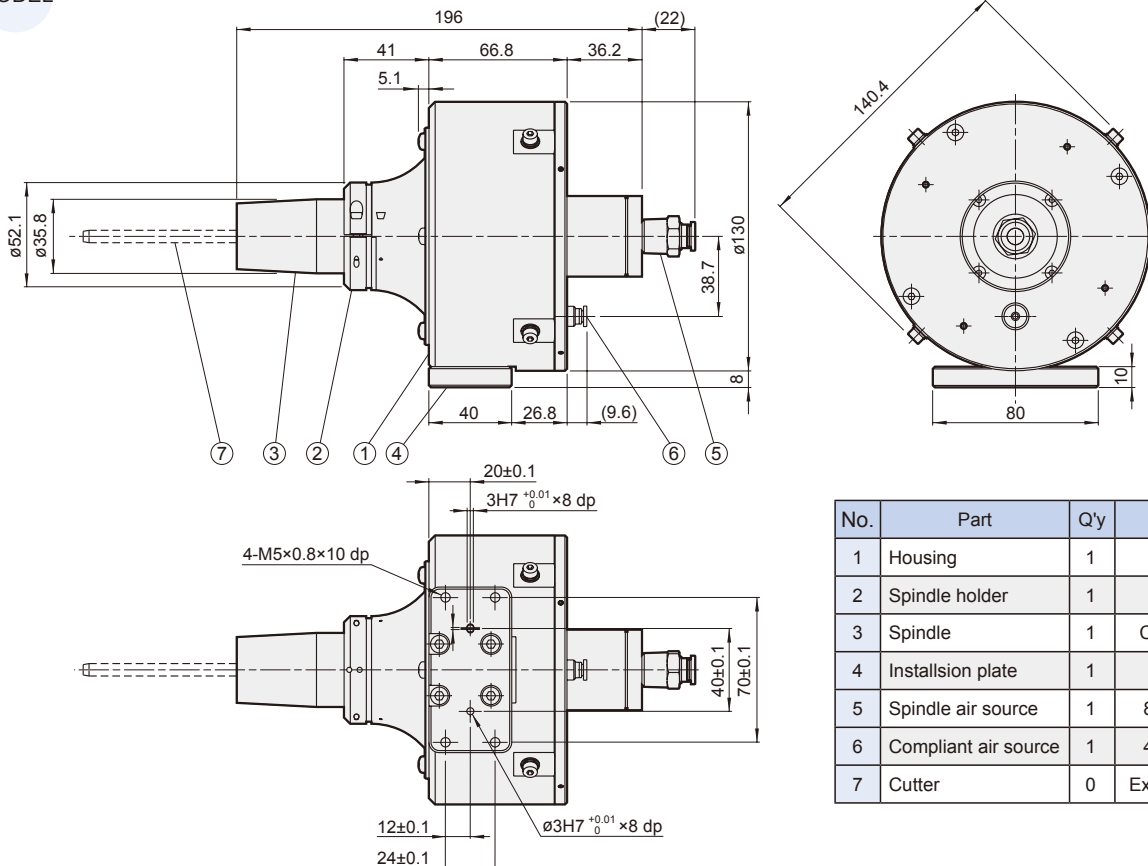
Specification

Model	TRF20
Compliant angle (°)	3.5 (radial)
Compliant force (N)	5-30
Nominal operating pressure (MPa)	Compliant force: 0.1-0.5 Pneumatic file: 0.6
Air source requirement	> 0.6 MPa, clean, dry, filtered ≤ 5μm
Air consumption (LPM)	Compliant force: neglectable Pneumatic file: 170
Oil consumption (drops/min)	1-2 (for the pneumatic file only, do not lubricate the compliant part)
File idle frequency (BPM)	9000
File stroke (mm)	10
File shank diameter (mm)	5
Ambient temperature (°C)	+5~+35
Ambient moisture (%)	< 95
Weight (kg)	2.9

Order example

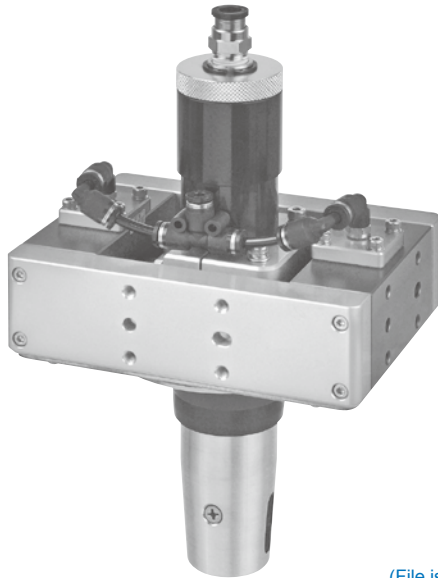
TRF20

MODEL



* Please contact our sales department when the product requires to be repaired and replacement of consumables. Unauthorized disassembly will void the warranty.

No.	Part	Q'y	Note
1	Housing	1	-
2	Spindle holder	1	-
3	Spindle	1	Consumable
4	Installation plate	1	-
5	Spindle air source	1	8 mm fitting
6	Compliant air source	1	4 mm fitting
7	Cutter	0	Extra purchase



(File is not attached)

Feature

- Used to remove the smallest burrs on straight edges.
- Suitable for die-casting workpieces.

Specification

Model	TAF20
Compliant angle (°)	±5.5 (planary)
Compliant force (N)	4-20
Nominal operating pressure (MPa)	Compliant force: 0.1-0.5 Pneumatic file: 0.6
Air source requirement	> 0.6 MPa, clean, dry, filtered ≤ 5µm
Air consumption (LPM)	Compliant force: neglectable Pneumatic file: 170
Oil consumption (drops/min)	1-2 (for the pneumatic file only, do not lubricate the compliant part)
File idle frequency (BPM)	9000
File stroke (mm)	10
File shank diameter (mm)	5
Ambient temperature (°C)	+5~+35
Ambient moisture (%)	<95
Weight (kg)	1.7

Order example

TAF20

MODEL

* Please contact our sales department when the product requires to be repaired and replacement of consumables. Unauthorized disassembly will void the warranty.

No.	Part	Q'y	Note
1	Housing	1	-
2	Pneumatic file	1	Consumable
3	File air source	1	8 mm fitting
4	Compliant air source	1	4 mm fitting
5	File	0	Extra purchase

