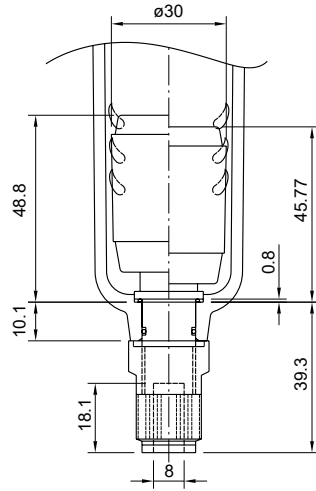


FMRF300 / MADV400 series

AUTO DRAIN VALVE



Specification

Model	FMRF300
Operating pressure range	0.15~1 MPa
Proof pressure	1.5 MPa
Ambient temperature	- 5~+60°C (No freezing)

Order example

FMRF300 – AD – U

for AIR UNIT
 MA**302 series
 MA**400 series
 MA**401 / 403 series
 MA**501 series
 * Ordered with filter together.



Specification

Model	MADV400
Operating pressure range	0.05~1.3 MPa
Proof pressure	2.0 MPa
Ambient temperature	- 5~+60°C (No freezing)

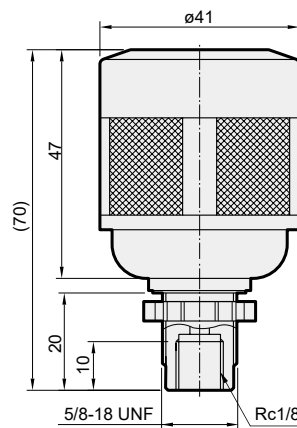
Order example

MADV400 – WB

MODEL

TYPE
 WA
 WB

WA



WB

