

Order example

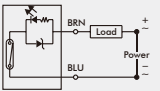
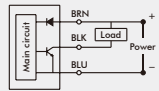
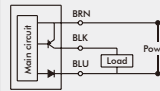
LN40R — P — □

MODEL

Blank: Lead wire
QD: Connector

SWITCH TYPE
Blank: Reed switch
N: NPN
P: PNP

Specification

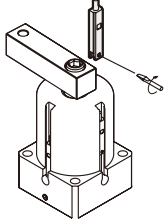
| Model | LN40R | LN40R-N | LN40R-P |
|--------------------------|---|--|--|
| Wiring method | 2 wire | 3 wire | |
| Switching logic | Normally open | Solid state output, normally open | |
| Switch Type | Reed switch | NPN current sinking | PNP current sinking |
| Operating voltage | 5~120V DC/AC | 50~30V DC | |
| Switching current | 100mA max. | 200mA max. | |
| Switching rating(*1) | 10W max. | 3W max. | |
| Current consumption | — | OFF:7mA(24V) ON:17mA(24V) max. | |
| Voltage drop | 2.5V max. | 1.5V@100mA max. | |
| Indicator | Red LED | | Yellow LED |
| Cable | ø3, 2C, PVC | ø3, 3C, PVC | |
| Temperature range | -10~+70°C (No freezing) | | |
| Enclosure classification | IEC 60529 IP67 | | |
| Protection circuit (*2) | 1 | 3, 4 | |
| Symbol |  |  |  |

*1. Warning: Never exceed rating (watt=voltage×amperage).

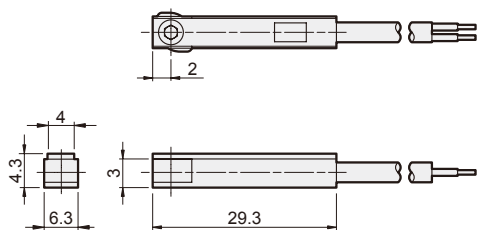
*2. 1=None / 2=Short-circuit / 3=Power source reverse polarity / 4=Surge suppression.

*3. Caution for safety please refer to page 8-8~9.

Assembling style

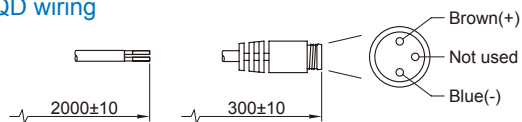
| Cylinder type | MTA* | | | | |
|----------------|---|----|----|----|----|
| Order | LN40R | | | | |
| Tube I.D. | 25 | 32 | 40 | 50 | 63 |
| Mounting clamp |  | | | | |

Dimension



Wiring of the QD

• 2 wire QD wiring



• 3 wire QD wiring

