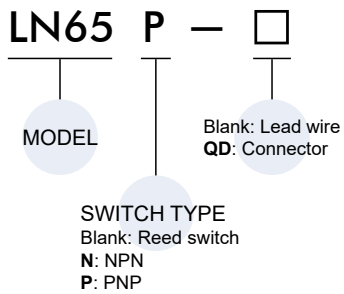




Order example



Specification

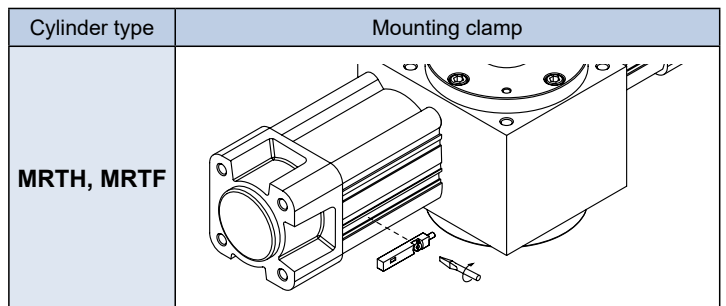
Model	LN65	LN65N	LN65P
Wiring method	2 wire	3 wire	
Switching logic	Normally open	Solid state output, normally open	
Switch Type	Reed switch	NPN current sinking	PNP current sinking
Operating voltage	5~240V DC/AC	5~30V DC	
Switching current	100mA max.	200mA max.	
Switching rating(*1)	10W max.	6W max.	
Current consumption	—	OFF:7mA(24V) ON:20mA(24V) max.	
Voltage drop	3.0V max.	0.5V@200mA max.	
Operating frequency	< 2ms	< 1ms	
Indicator	Red LED		Yellow LED
Cable	ø2.8, 2C, PUR	ø2.8, 3C, PUR	
Temperature range	-10~+70°C (No freezing)		
Enclosure classification	IP67		
Protection circuit (*2)	1	3, 4	
Symbol			

*1. Warning: Never exceed rating (watt=voltage×amperage).

*2. 1=None / 2=Short-circuit / 3=Power source reverse polarity / 4=Surge suppression.

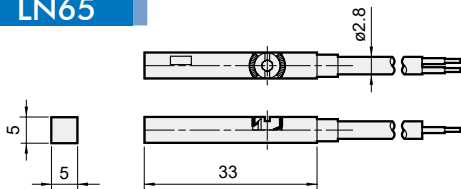
*3. Caution for safety

Assembling style



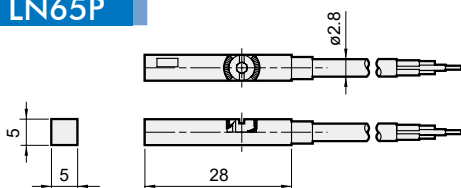
Dimension

LN65



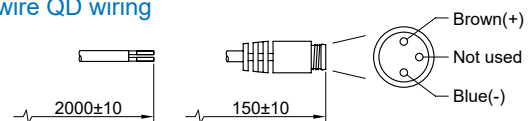
LN65N

LN65P



Wiring of the QD

• 2 wire QD wiring



• 3 wire QD wiring

