

M83R / M84R series

CABLE WITH CONNECTOR / M8 (MALE)



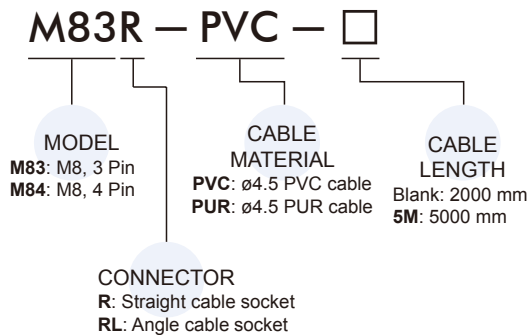
Mindman



Specification

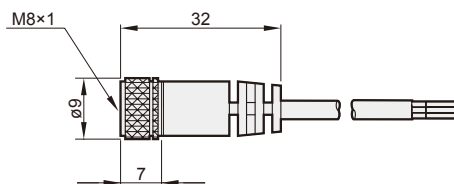
Model	M83R / M83RL		M84R / M84RL	
Female pin out				
Number of contacts	3		4	
Rated voltage	60V DC/AC			
Rated current	3A			
Contact material	Gold plated brass			
Contact bearer material	PA			
Housing material	PP			
Housing color	Black			
Cable material	ø4.5, PVC	ø4.5, PUR	ø4.5, PVC	ø4.5, PUR
Cable color	Gray	Black	Gray	Black
Temperature	-20°C~+80°C (No freezing)			
Cable conductor	24AWG			
Protection class	IEC60529 IP 67			

Order example



Dimension

• Straight cable socket (R)



• Angle cable socket (RL)

