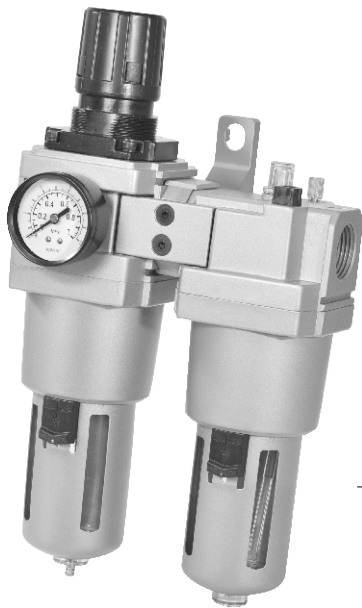


MACP500 series

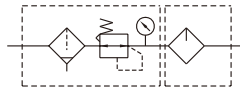
AIR UNIT (F.R.L.UNIT)



Mindman



Symbol



Specification

Model	MACP500	
Components	MAFR500, MAL500	
Bore No.	20A	25A
Port size	3/4	1
Medium	Air	
Operating pressure range	0.05~1 MPa	
Proof pressure	1.5 MPa	
Regulated pressure range	0.05~0.85 MPa	
Ambient temperature	-5~+60°C (No freezing)	
Filter element	40 μm	
Lubricating oil capacity	175 c.c	
Min. Flow for oil drip	190 ℓ/min	
Recommended lubricating oil	Turbine oil ISO-VG32	
Attachment	Pressure gauge, bracket	
Weight	3560 g	

※ Standard unit contains semi-auto-drain function when operating pressure below 0.05 MPa.

Order example

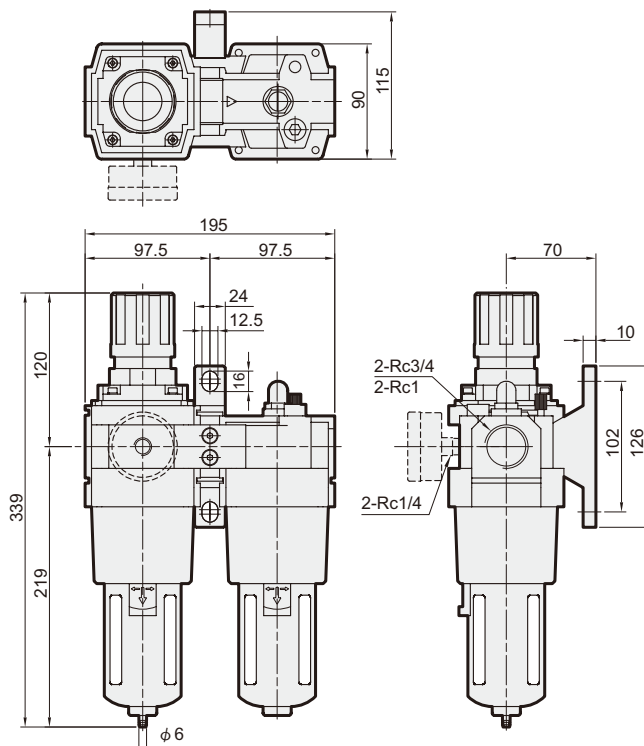
MACP500 — 20A — D — □

MODEL

BORE SIZE
20A: 3/4
25A: 1

D: Auto drain valve
(YD401)

PORT THREAD
Blank: Rc thread
G: G thread
NPT: NPT thread



Flow feature

