

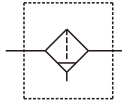
# MAF901 series

## AIR UNIT (FILITER)

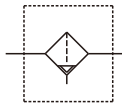


### Symbol

Manual drain



Auto drain



- MAF901 with high water removal efficiency and minimal pressure drop are used for removal of liquids and solid contaminants to protect air tools and equipment.
- Ideally suited for header lines and very high flow applications.

### Specification

Model	MAF901
Bore No.	50A
Port size	2
Medium	Air
Operating pressure range (*1)	0.05~1.75 MPa
Ambient temperature	0~+80°C (No freezing)
Filter element	Standard: 50μm
Standard nominal flow rate (*2)	63000 ℓ /min
Weight	6930 g

\*1. Choose auto-drain, the pressure range is 0.15~1 MPa.

\*2. Flow is at pressure P= 0.6 MPa with pressure drop ΔP=0.1 MPa.

### Order example

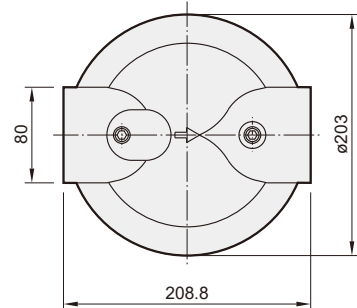
MAF901 – 50A – D – □

MODEL

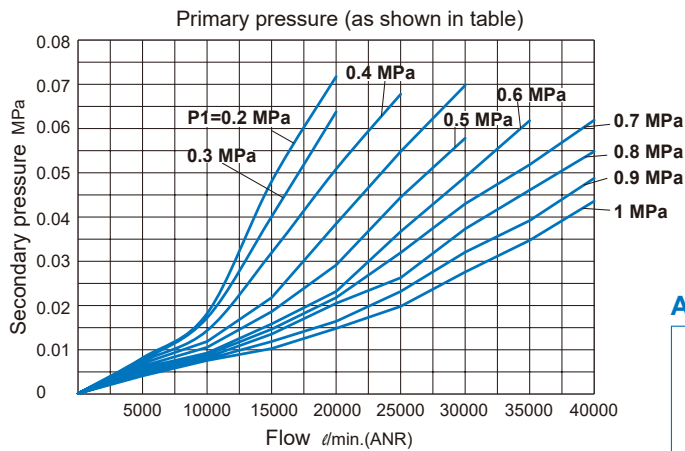
PORT SIZE  
50A: 2

PORT THREAD  
Blank: Rc thread  
G: G thread  
NPT: NPT thread

Blank: Manual drain  
D: Auto drain



### Flow feature



### Auto drain

