

MAFR302 series

AIR UNIT (F.R.UNIT)



Technical data



Filter element



User manual

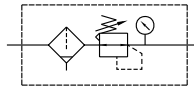


Caution for safety
(Read before installing)



Option: MP41

Symbol



Specification

Model	MAFR302		
Bore No.	8A	10A	15A
Port size	1/4	3/8	1/2
Medium	Air		
Operating pressure range (*)	0.05~1 MPa		
Proof pressure	1.5 MPa		
Regulated pressure range	0.05~0.85 MPa		
Ambient temperature	- 5~+60°C (No freezing)		
Filter element	Standard: 5µm, Option: 40µm		
Drain capacity	35 cm ³		
Attachment	Standard	Pressure gauge (PG-20), L type bracket	
	Optional	Z type bracket	
Weight	490 g		

* Standard unit contains semi-auto-drain function when operating pressure below 0.05 MPa.

* Choose auto-drain FMRF300, the pressure range is 0.15~1 MPa.

Order example

MAFR302 K - 8A - □ - NC□□ - E1 - □ - HR - □

MODEL

PORT SIZE

8A: 1/4
10A: 3/8
15A: 1/2

EXHAUST MECHANISM

Blank: Relieving type
Q: Non-relieving type

PRESSURE SWITCH

Blank: without
E1: MP41P-022
E2: MP41P-022-QD**
E5: MP41P-042
E6: MP41P-042-QD**

FILTER ELEMENT

Blank: 5µm
40u: 40µm

BRACKET

Blank: L type
B3: Z type

PORT THREAD

Blank: Rc thread
G: G thread
NPT: NPT thread

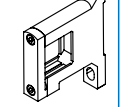
Blank: Standard
K: Backflow function ⚠ Caution

** MOQ required.
Please contact us.

SHUTOFF VALVE

Blank: without
HR: MVHR-302-3H
1: MVHR-302S-3H-AC110
1L: MVHR-302S-3H-AC110-L
1E: MVHR-302S-3H-AC110-E
2: MVHR-302S-3H-AC220
2L: MVHR-302S-3H-AC220-L
2E: MVHR-302S-3H-AC220-E
4: MVHR-302S-3H-DC24
4L: MVHR-302S-3H-DC24-L
4E: MVHR-302S-3H-DC24-E

T type bracket



Bowl	Pressure gauge	Drain valve	Flow direction
Blank: PC bowl M: Metal bowl N: Nylon bowl	Blank: Pressure gauge (PG-20) C: External pressure gauge (PG-40) + Gauge adapter set (A-MAR302) A: Gauge adapter set (A-MAR302)	Blank: Semi-auto D: Auto (FMRF300)	Blank: Left to right R: Right to left

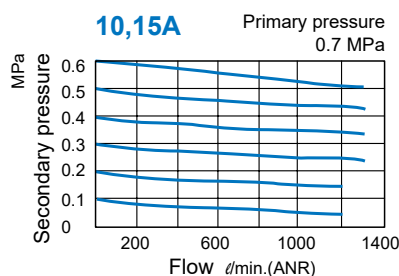
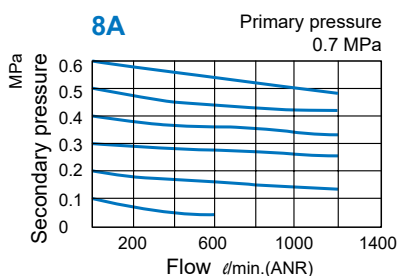
* Standard type regulator can not release the outlet pressure completely, even if inlet pressure was cut off, and the backflow function (K) must be applied to completely remove the residual pressure.

* The (Q) non-relieving type regulator is used. When the output pressure is higher than the set pressure, the output pressure will not flow out through the exhaust hole.

* PG-40 (C), A-MAR302 (A) and MP41 (E*) can not be selected at the same time.

* Be sure to use above check valves when redirecting the air flow on the inlet side of the lubricator.

Flow feature

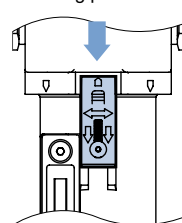


Caution

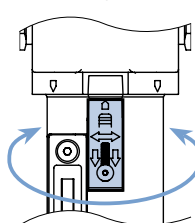
Metal bowl

Before assembling or disassembling, push the lock plate down to the end, and confirm that is detached from the body then rotate the bowl, otherwise the lock plate will be deformed or the body will be scratched.

1. Sliding plate down



2. Rotating the bowl

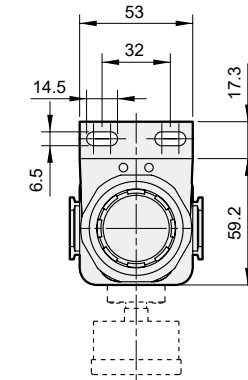
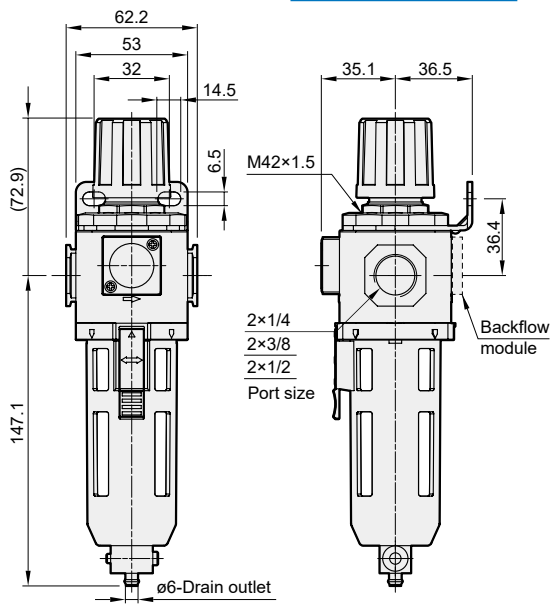
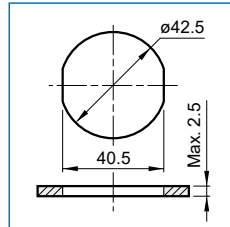


MAFR302 Dimensions

AIR UNIT (F.R.UNIT)

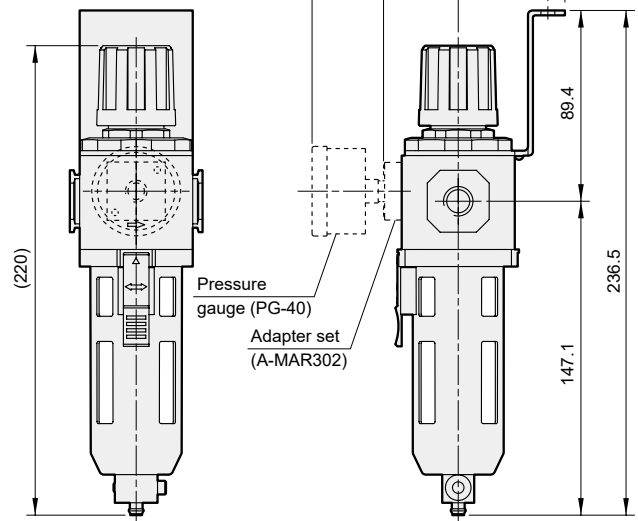


Panel mounting hole



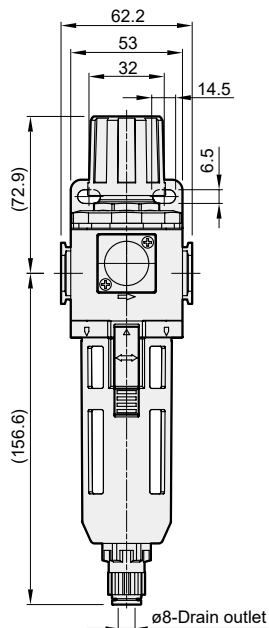
MAFR302-B3

Z type bracket



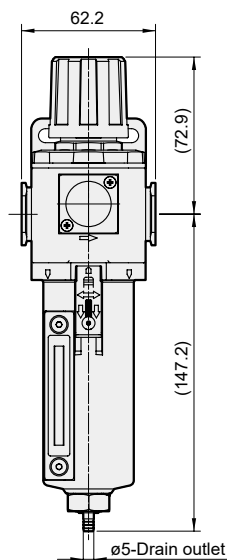
MAFR302-D

Auto drain valve



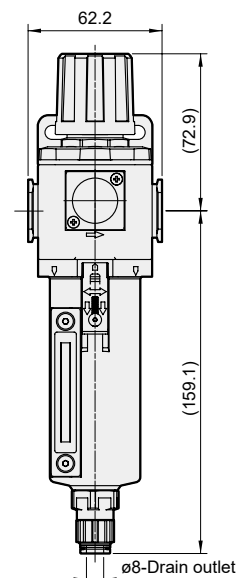
MAFR302-M

Metal bowl



MAFR302-MD

Metal bowl + Auto drain valve



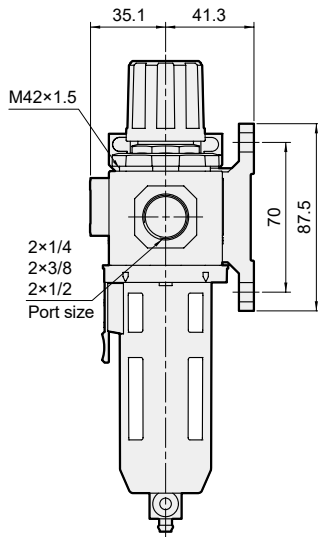
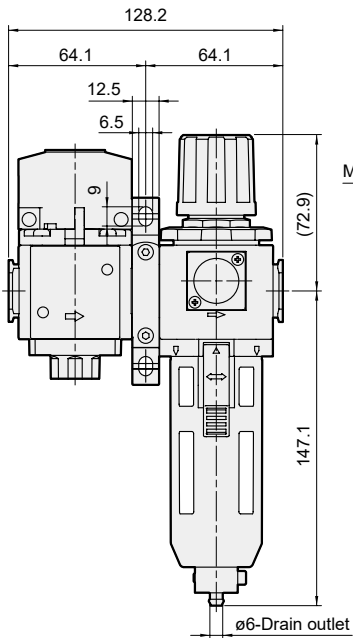
MAFR302-HR with shutoff valve

AIR UNIT (F.R.UNIT)



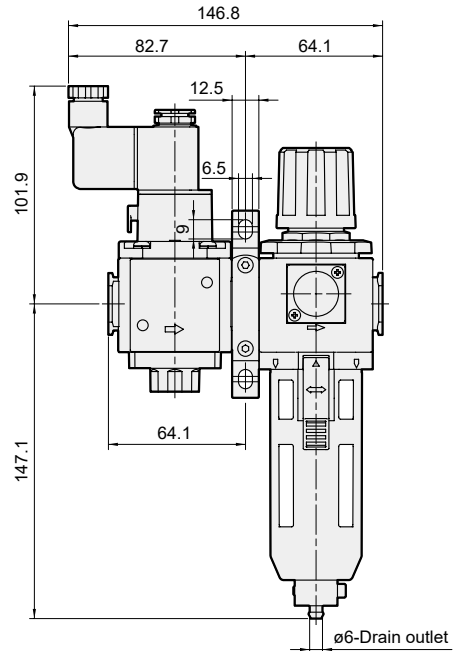
MAFR302-HR

With shutoff valve (MVHR-302)



MAFR302-1*/2*/4*

With shutoff valve (MVHR-302S)



Accessories

