

MAFV302 series

AIR UNIT (VACUUM FILTER)



Technical data



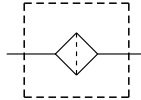
Filter element



Caution for safety
(Read before installing)



Symbol



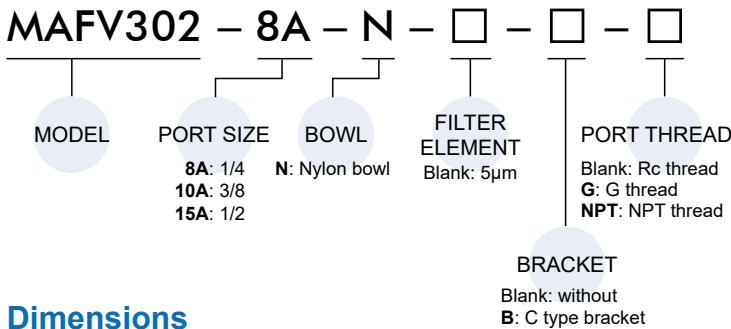
Features

- Remove water droplets and pollutants to ensure the quality of the vacuum gas supply system.
- The maximum flow rate is 240 L/min when the initial pressure loss is 4 kPa.
- Nylon cup body to adapt to a variety of environment needs.

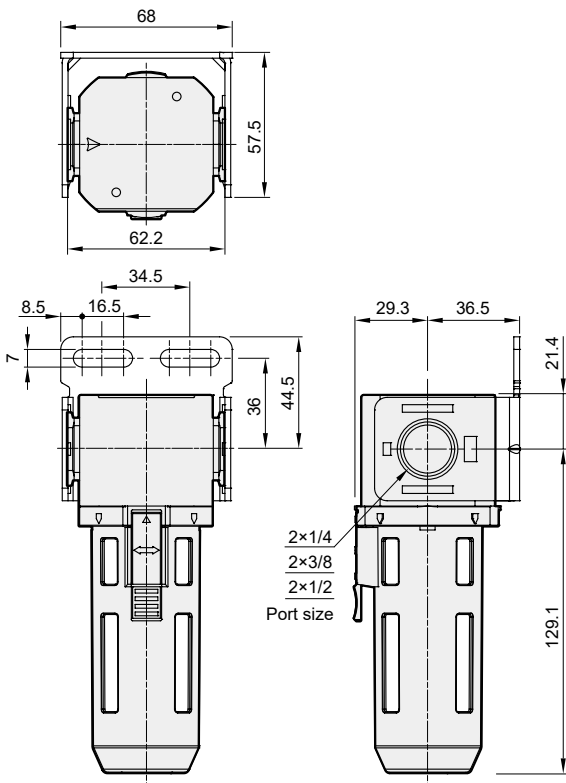
Specification

Model	MAFV302		
Bore No.	8A	10A	15A
Port size	1/4	3/8	1/2
Medium	Air		
Operating pressure range	-100~0 kPa		
Proof pressure	0.5 MPa		
Ambient temperature	- 5~+60°C (No freezing)		
Drain capacity	35 cm ³		
Filter element	5μm		
Optional attachment	C type bracket		
Weight	333 g		

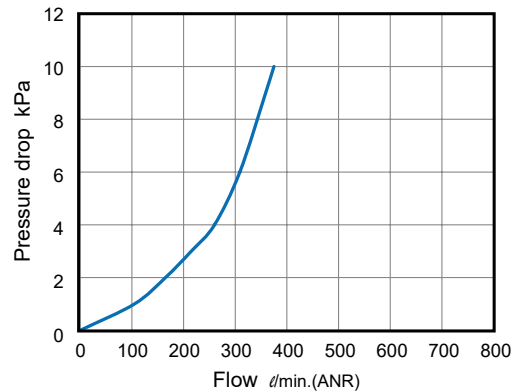
Order example



Dimensions



Flow feature



Optional

C type bracket

