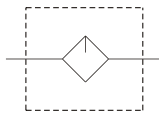


MAL410 series Stainless steel #316 type

AIR UNITS (L.UNIT)



Symbol



Specification

Model	MAL410		
Bore No.	10A	15A	20A
Port size	3/8	1/2	3/4
Medium	Air		
Max. operating pressure	1 MPa		
Proof pressure	1.5 MPa		
Ambient temperature	-5~+60°C (No freezing)		
Lubricating oil capacity	130c.c		
Min. flow for oil drip	50 ℓ /min		
Recommended lubricating oil	Turbine oil ISO-VG32		
Weight	1680 g		

Order example

MAL410 - 15A - □

MODEL

BORE SIZE

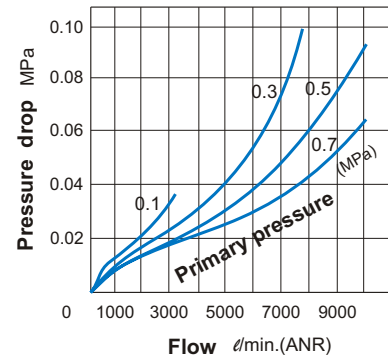
10A: 3/8
15A: 1/2
20A: 3/4

PORT THREAD

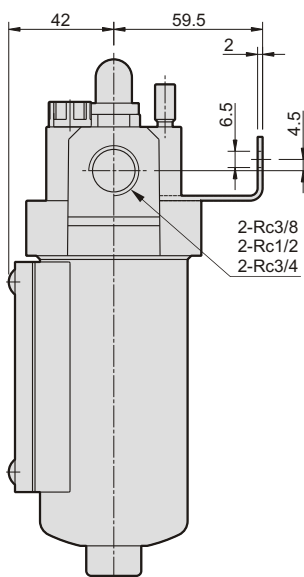
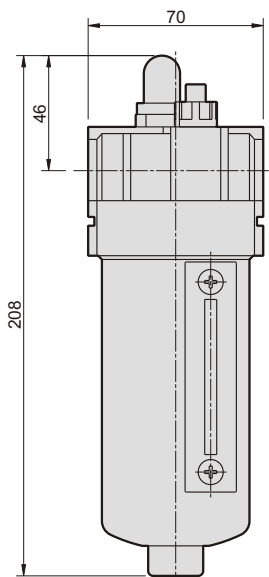
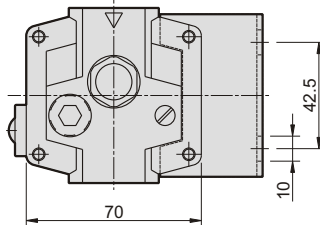
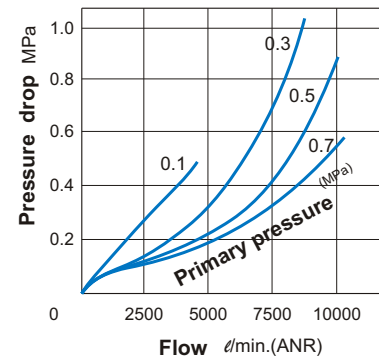
Blank: Rc thread
G: G thread
NPT: NPT thread

Flow feature

15A



20A



Mindman